

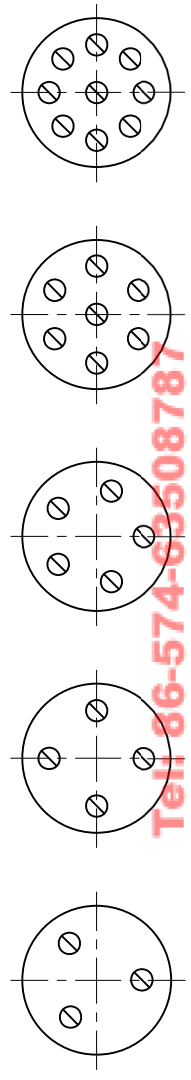
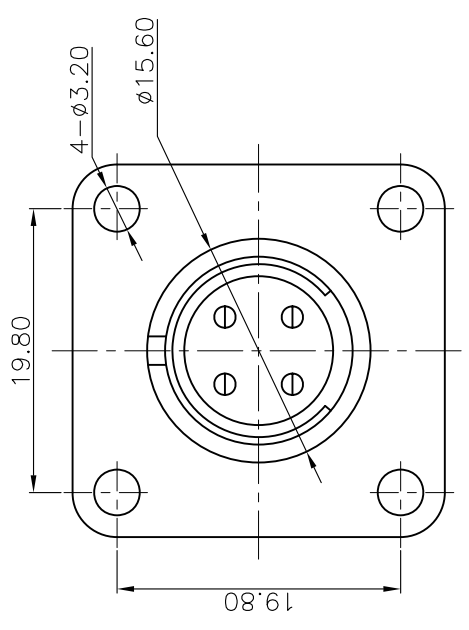
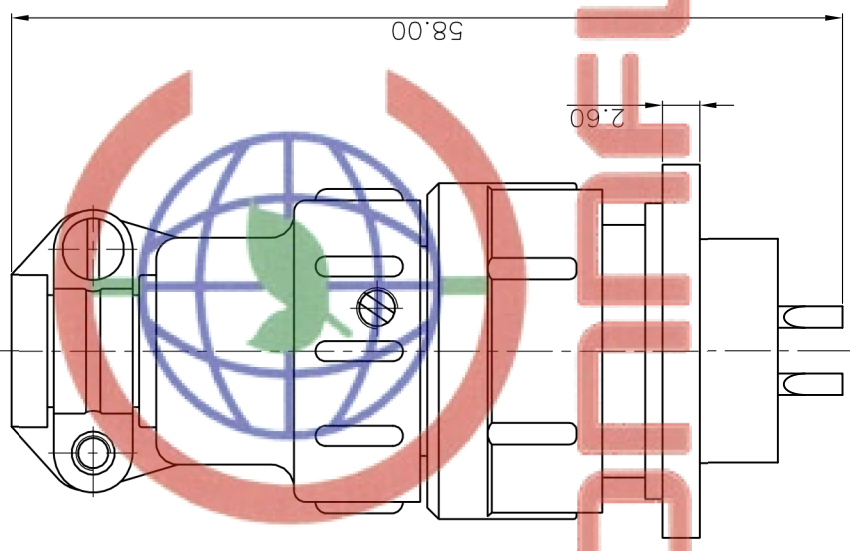
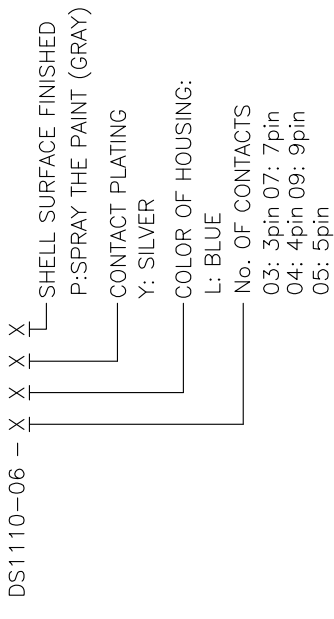
REV. A	DESCRIPTION NEW RELEASE	DRAWN YCH 08/17/07'	CHECKED ~	APPROVED

NOTES:

1.SPECIFICATION

- .CURRENT RATING: 5A Max.
- .DIELECTRIC WITH STANDING VOLTAGE: 500V(AC)
- .CONTACT RESISTANCE: 100mΩ Max.
- .INSULATION RESISTANCE: 1000MΩ(DC)Min.

2.PRODUCT NUMBER CODE:



3pin 4pin 5pin 7pin 9pin

Tel: 86-574-63508787
Fax: 86-574-63510817

GENERAL TOLERANCE	ANGLE TOLERANCE	PROJECTION	TITLE
X. ±0.60	X. ±5'	mm	MICRO JACK CONNECTOR
X. ±0.38	.X. ±3'	A4	DS1110-06 SERIES
.XX ±0.25	.XX ±2'		
DRAWING TYPE	CUSTOMER	UNITS	
SCALE	1:1	SHEET SIZE	
DRAWING NO.	C-DS1110-06-XXX	SHEET NO.	
		SHEET 1 OF 1	

晨翔电子有限公司
CONNFLY CONNFLY ELECTRONIC CO. LTD
P.C.: 315321