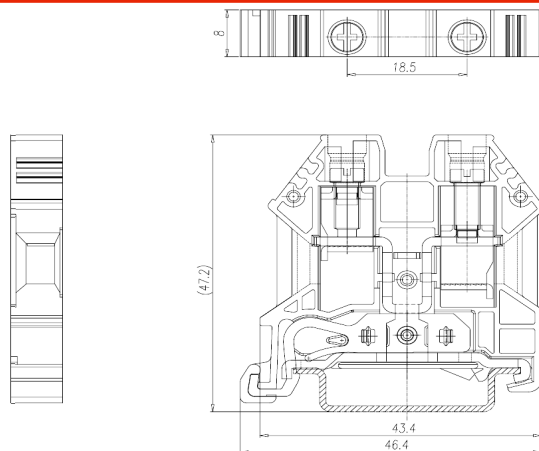
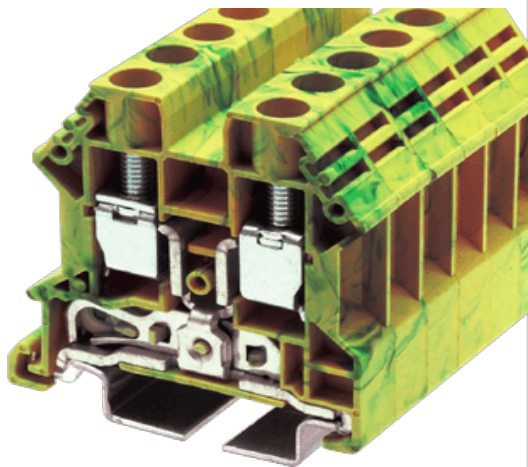


DK6N-PE

DIN Rail Terminal Blocks > Screw Connection



Product Description

M4, Green&Yellow color

General information

Short description	DIN rail terminal blocks , Grounding terminal blocks
Connection method	Screw connection
Type of locking	Rail mounting
Category	Grounding terminal blocks
Thread	M4
Level	Single level
Connection points	2

Material information

Insulation material	PA
Flame retardant rating , compliant with UL94	V0
Color	Green&Yellow
Conductor material	Copper Alloy
Plating of conductor surface	Tinned

Connection data-UL

Stripping Length mm	11~13
---------------------	-------



Slotted screwdriver size (Blade thickness x Width) mm	0.8x4.0
Philips screwdriver size	PH2
Rated torque (UL) N.m	1.2
Mounting rail	TS-35
End cover plate required	YES
PE connections	YES
Rated voltage V (UL/CUL standard group B)	600
AWG, compliant with UL/CUL, Sol. max (group B)	8
AWG, compliant with UL/CUL, Sol. min (group B)	20
AWG, compliant with UL/CUL, Str. max (group B)	8
AWG, compliant with UL/CUL, Str. min (group B)	20
Rated voltage V (UL/CUL standard group C)	600
AWG, compliant with UL/CUL, Sol. max (group C)	8
AWG, compliant with UL/CUL, Sol. min (group C)	20
AWG, compliant with UL/CUL, Str. max (group C)	8
AWG, compliant with UL/CUL, Str. min (group C)	20

Connection data-IEC

Rated data	IEC 60947-7-2
Surge voltage category	III
Pollution degree	3
Insulating material group	I
Rated impulse voltage KV (II/2)	8
Rated impulse voltage KV (III/2)	8
Rated impulse voltage KV (III/3)	8
Conductor cross section solid. min mm ²	0.2
Conductor cross section solid.max mm ²	10
Conductor cross section stranded. min mm ²	0.2
Conductor cross section stranded. max mm ²	6
Conductor cross section flexible, with max ferrule without plastic sleeve mm ²	6
Conductor cross section flexible, with min ferrule without plastic sleeve mm ²	0.25
Conductor cross section flexible, with max ferrule with plastic sleeve mm ²	6
Conductor cross section flexible, with min ferrule with plastic sleeve mm ²	0.25

2 conductors with same cross section, solid, max mm ²	4
2 conductors with same cross section, stranded, max mm ²	4
2 conductors with same cross section flexible, with max ferrule without plastic sleeve mm ²	4
2 conductors with same cross section flexible, with min ferrule without plastic sleeve mm ²	0.25
2 conductors with same cross section flexible, max twin ferrules with plastic sleeve mm ²	4
2 conductors with same cross section flexible, min twin ferrules with plastic sleeve mm ²	0.5

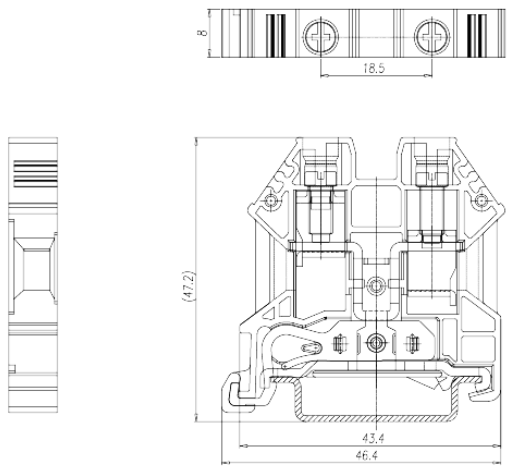
Connection data-EX

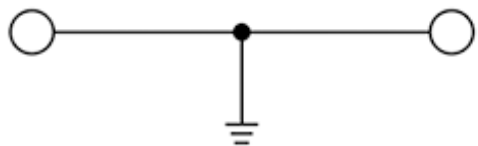
Operating temperature °C	-20°C~85°C
--------------------------	------------

Environment & Safety

Back of the hand protection (YES or NO)	YES
Finger protection (YES or NO)	YES
Operating temperature. max °C	110
Operating temperature. min °C	-40

Drawings

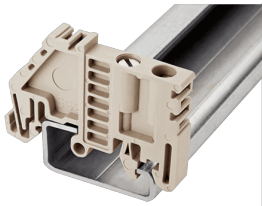




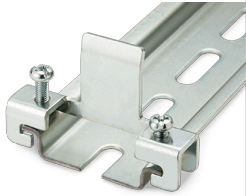
circuit diagram

Accessories

SS2

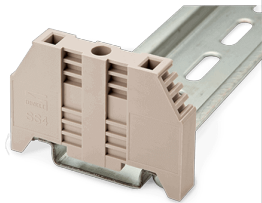


For TS-32 / TS-32A and TS-35 / TS-35A rails Gray color Using UL94-V2 class of insulation material



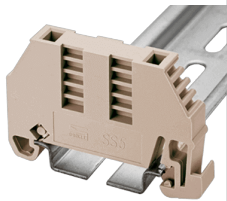
SS3

For TS-35 / TS-35A rails Material is steel then galvanized then on the surface



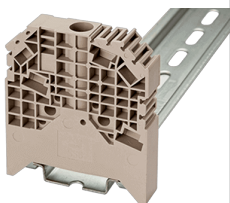
SS4

For TS-35 / TS-35A rails Gray color Using UL94-V2 class of insulation material



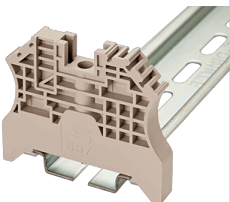
SS5

For TS-35 / TS-35A rails Gray color Using UL94-V2 class of insulation material



SS6

For TS-35 / TS-35A rails Gray color Using UL94-V2 class of insulation material

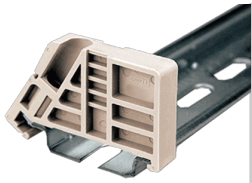


SS7

For TS-35 / TS-35A rails Gray color Using UL94-V2 class of insulation material

SS11

For TS-35 / TS-35A rails Gray color Using UL94-V2 class of insulation material



MKH-001

For SS2 / SS4 / SS5 / SS6 / SS7 Using UL94-V2 class of insulation material



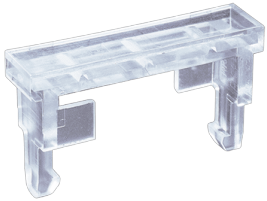
MKH-002

For SS6 of terminal holder Using UL94-V2 class of insulation material



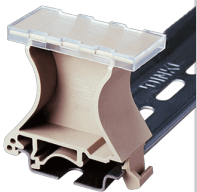
MKL

For SS4 / SS5 Using UL94-V2 class of insulation material



MKW

For TS-35 / TS-35A rails Gray color Using UL94-V2 class of insulation material



DKNSPS-001

For DK2.5N / DK4N Gray color Using UL94-V0 class of insulation material

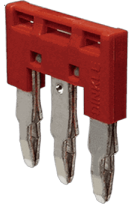


DKNSPS-008



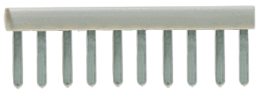
material

For DK2.5N / DK4N / DK6N Gray color Using UL94-V0 class of insulation



DSS6N-XXP

For DK6N / DK6D Red color Using UL94-V0 class of insulation material



CSD02-638-A

For DK6 / DK6N / DK6 / DKTL6 / DK4-TF (5x20) / DKK4-TF (5X20) Gray color
Using UL94-V0 class of insulation material



TS-35C

For TS-35 rail Black color Using UL94-V2 class of insulation material



TS-35

For DK / DK-PE / AK / AK-PE / AK..P Series Material is iron Length of 1000mm



TM28

For DK6S / DK6N / DK6N-PE / DK6D / DK6P / DK6 / DKTL6 / DKTD6 /
DK4-TF(5X20) / DK4-TFLD(5X20) / PM6N / DK4N-TF(5X20) / DK10N / DK10D /
DK10 / DK10-PE / DK10N-PE / DK16H / DK16-PE / DK16N / DK35H / DK35-PE
/ DK35N / DK50 / DK50-PE / DK95 / DK95-PE DK150 / DK240 / PPAC-16 /
PPACV-16 / PPAC-16Z / PPAC-16AS / PPAC-25 / PPAC-25AS / PPAC-50 /
PPAC-50AS / PPAC-95 / PPAC-95M / PPAC-95AS / PPAC-95MAS White color
Using UL94-V2 class of insulation material Marking Label

Approvals

