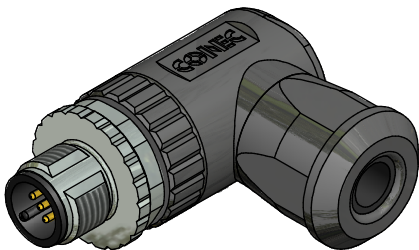
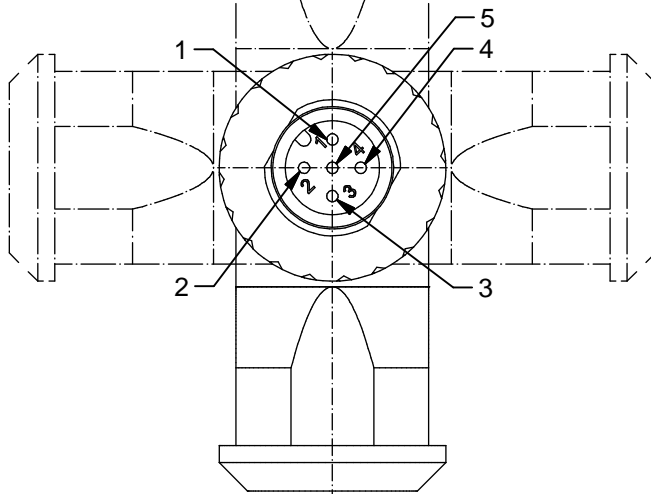


A-coding
 Housing in angled version is mountable in 90° angular degree positions
 4pos / 5pos



Technical specification:

Rated voltage: IEC 61076-2-101	4pos 5pos 250 V 60 V
Current rating: IEC 61076-2-101	7,5 A at 40°C, with 1,5 mm ²
Insulation resistance: IEC 60512	≥100 MΩ
Pollution degree: IEC 60664-1	3/2
Degree of protection: IEC 60529	IP 67, in mated condition
Temperature range:	-30°C ... +85°C
Mating cycles: IEC 60512-9a	≥100
Wire cross section:	max. AWG16 / max. 1,50 mm ² (incl. sleeve)

Materials:

Contact:	CuZn
Contact plating:	Au over Ni
Contact carrier:	PA6, UL 94
Screw connection	Elastomere
Cable seal:	FPM / NBR
O-Ring:	GD-Zn, Ni plated
Coupling screw:	PA6 GF, UL 94
Housing:	

Installation specification:

Recommended torque:	0,6 Nm
Conec installation tooling:	Torque wrench: 36-000200 Insert across flats 18: 36-000240
Recommended torque, screw termination contact:	0,3 Nm

Part no:	Description:	Pos:	Cable-Ø:
43-00104	SAL - 12 - RSWC4 - S / 150	4	4 - 8 mm
43-00106	SAL - 12 - RSWC5 - S / 150	5	4 - 8 mm

title: Male connector M12x1, field attachable, angled, screw connection	
dwg no: 43K1A837	
part no:	see table

DO NOT ALTER CAD DRAWING BY HAND Directive 2002/95/EC RoHS compliant	Index: d 17.03.14 BS Ä5133 data sheet a. description modified	
	dim. in mm	
	drawn	19.01.09 Burschik
	appd.	19.01.09 Schmidt
general tolerance:	0 ± 0,50mm	
	0,0 ± 0,25mm	
	0,00 ± 0,10mm	
THIS DRAWING MAY NOT BE COPIED OR REPRODUCED IN ANY WAY, AND MAY NOT BE PASSED ON TO A THIRD PARTY WITHOUT WRITTEN PERMISSION. OWNERSHIP AND COPYRIGHT OF CONEC GmbH		

