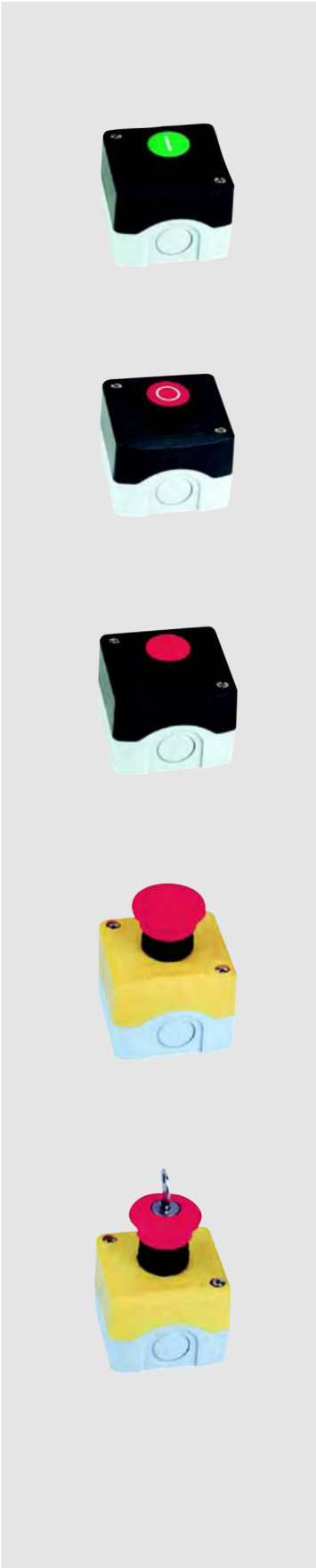


1



**Start or Stop Function (light grey base, RAL 7035; dark grey lid, RAL 7016)**

| Description | Type of push | Type of contact |     | Legend marking | Catalog number |
|-------------|--------------|-----------------|-----|----------------|----------------|
|             |              | N/O             | N/C |                |                |

Marking on Legend Holder

|                         |             |   |   |       |         |
|-------------------------|-------------|---|---|-------|---------|
| 1 momentary push button | Flush black | 1 | - | Start | GB5D101 |
|                         | Flush red   | - | 1 | Stop  | GB5D111 |

Marking on Legend Holder

|   |     |   |   |                |         |
|---|-----|---|---|----------------|---------|
| 1 mushroom head push button<br>φ 40 mm, momentary | Red | - | 1 | Emergency stop | GB5D164 |
|---|-----|---|---|----------------|---------|

**Emergency Stop Function (light grey base, RAL 7035; yellow lid, RAL 1012)**

| Description | Type | Type of contact |     | Catalog number |
|-------------|------|-----------------|-----|----------------|
|             |      | N/O             | N/C |                |

|   |                |   |   |         |
|---|----------------|---|---|---------|
| 1 Mushroom head push button<br>φ 40mm, red<br>Turn to release           | Standard       | - | 1 | GB5K174 |
|   | Trigger action | - | 1 | GB5K178 |
| 1 Mushroom head push button φ 40mm,<br>red Key release<br>(Key No. 455) | Standard       | - | 1 | GB5K184 |
|   | Trigger action | - | 1 | GB5K188 |
| 1 Mushroom head push button φ 40mm,<br>red Push-pull                    | Standard       | - | 1 | GB5K194 |



**Start-Stop Function (light grey base, RAL 7035; dark grey lid, RAL 7016)**

| Description              | Type of push  | Type of contact |     | Legend text | Catalog number |
|--------------------------|---------------|-----------------|-----|-------------|----------------|
|                          |               | N/O             | N/C |             |                |
| Text on legend plate     |               |                 |     |             |                |
| 2 Momentary push buttons | 1 flush black | 1               | -   | Start       | GB5D211        |
|                          | 1 flush red   | -               | 1   | Stop        |                |
|                          | 1 flush black | 1               | -   | Forward     | GB5D221        |
|                          | 1 flush black | 1               | -   | Reverse     |                |

**Three Function (light grey base, RAL 7035; dark grey lid, RAL 7016)**

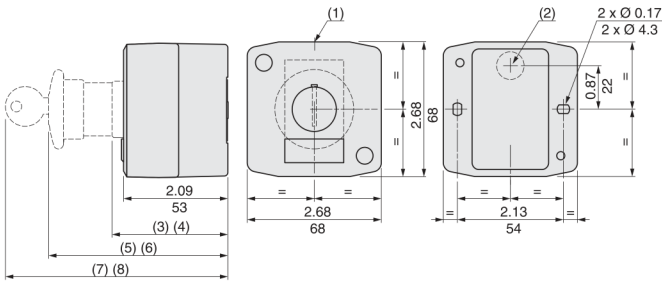
| Description              | Type of push  | Type of contact |     | Legend text | Catalog number |         |
|--------------------------|---------------|-----------------|-----|-------------|----------------|---------|
|                          |               | N/O             | N/C |             |                |         |
| Text on legend plates    |               |                 |     |             |                |         |
| 3 Momentary push buttons | 1 flush black | 1               | -   | Open        | GB5D341        |         |
|                          | 1 flush red   | -               | 1   | Stop        |                |         |
|                          | 1 flush black | 1               | -   | Close       |                |         |
|                          |               |                 | 1   | -           | Forward        | GB5D311 |
|                          |               |                 | -   | 1           | Stop           |         |
|                          |               |                 | 1   | -           | Reverse        |         |
|                          |               |                 | 1   | -           | Up             |         |
|                          |               |                 | -   | 1           | Stop           | GB5D321 |
|                          |               | 1               | -   | Down        |                |         |

**Empty Enclosures**

| Description   | Number of holes | Catalog number |
|---|-----------------|----------------|
| For normal environments, CSA+ UL approvals (with stainless steel lid mounting screws) |                 |                |
| Light grey base "RAL 7035"  | 1               | GB5D01         |
| Dark grey lid "RAL 7016"  | 2               | GB5D02         |
|   | 3               | GB5D03         |
|   | 4               | GB5D04         |
|   | 5               | GB5D05         |
| Light grey base "RAL 7035"<br>Yellow lid "RAL 1012"                                   | 1               | GB5K01         |

1

Single-way control stations GB5-D1, K1, D01

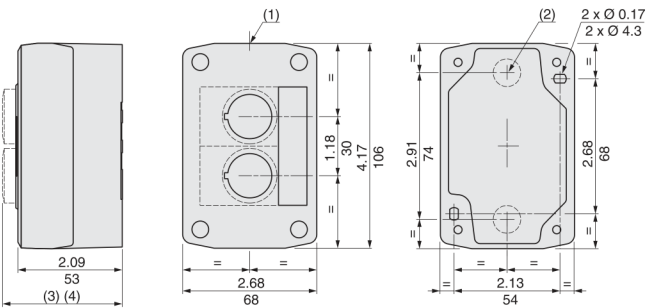


- (1) 2 knock-outs for PG 13.5 cable glands, maximum capacity 0.47 in (12 mm).
- (2) Knock-out for cable entry, maximum capacity 0.55 in (14 mm).

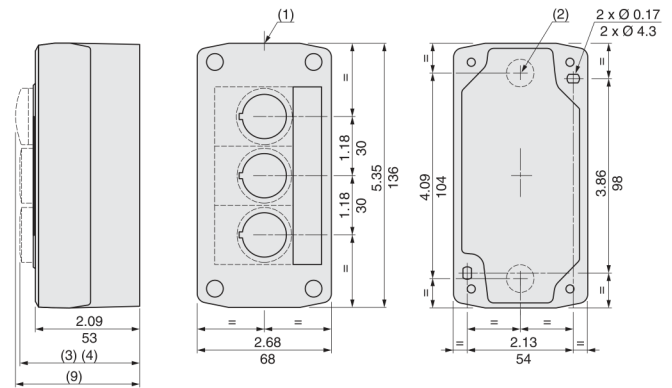
Examples:

- (3) 2.44 in (62 mm) for flush push buttons.
- (4) 2.59 in (66 mm) for projecting push buttons.
- (5) 3.58 in (91 mm) for latching mushroom head push buttons.
- (6) 2.91 in (74 mm) for key switches.
- (7) 4.45 in (113 mm) for latching mushroom head push buttons with key release.
- (8) 3.78 in (96 mm) for key switches with key.
- (9) 2.52 in (64 mm) for pilot lights.

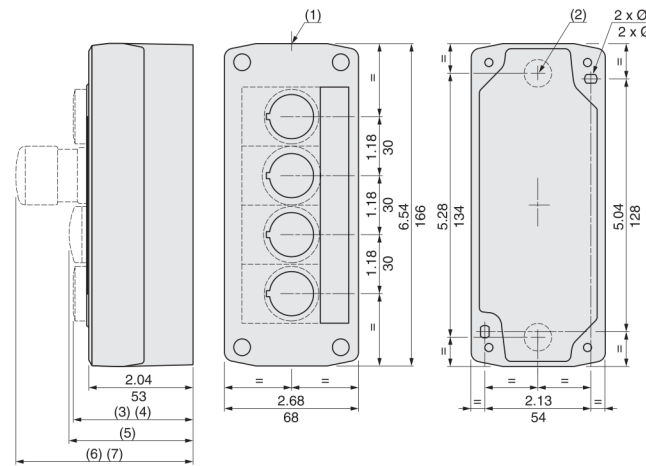
Two-way control stations GB5-D2, K2, D 02



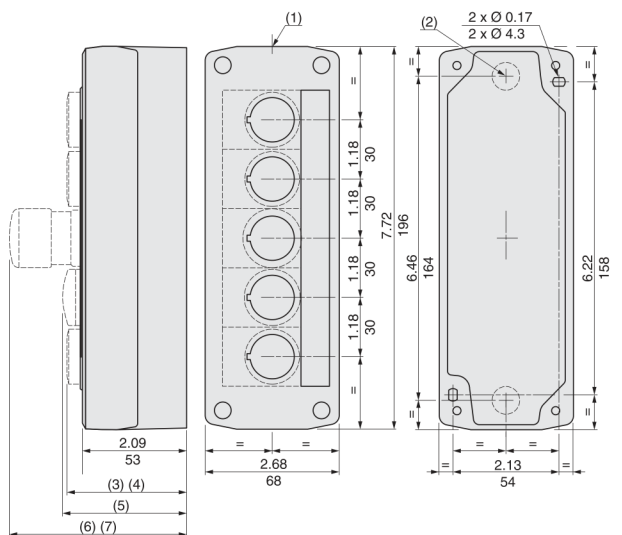
Three-way control stations GB5-D3, K3, D03



Four-way control stations GB5-D4, K4, D04



Five-way control stations GB5-D5, K5, D05



- (1) 2 knock-outs for PG 13.5 cable glands, maximum capacity 0.47 in (12 mm).
- (2) Knock-out for cable entry, maximum capacity 0.55 in (14 mm).

Examples:

- (3) 2.44 in (62 mm) for flush push buttons.
- (4) 2.59 in (66 mm) for projecting push buttons.
- (5) 2.52 in (64 mm) for pilot lights.
- (6) 3.43 in (87 mm) for mushroom head push buttons.
- (7) 3.07 in (78 mm) for selector switches.

Dual Dimensions  $\frac{\text{inches}}{\text{mm}}$