

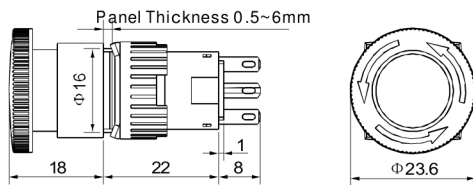


LAS1-A Emergency Pushbutton

Product Outline

Shape	Contact	Type Number	Remarks
	SPDT	LAS1-AY-11TS/△/○	 ◎ Protective Degree: IP40, IP65
	DPDT	LAS1-AY-22TS/△/○	

Shape and Dimensions

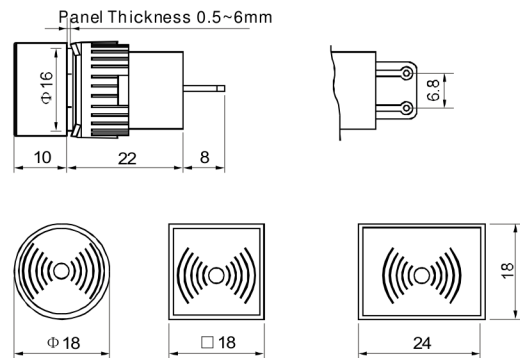


LAS1-A Buzzer Units

Specifications

Operating Temperature	-25°C ~ 55°C
Operating Humidity	45~85%RH
Dielectric Strength	1000V
Sound Duration	Continuous, Discontinuous
Rated Sound Pressure & Frequency	75dB(1m)(Rated Voltage) 2300 ± 30Hz
Operating Voltage	6VDC;12VDC;24VDC; 110VAC;220VAC

Shape and Dimensions



Product Outline

Type Number	LAS1-AY-B/▲	LAS1-AF-B/▲	LAS1-AJ-B/▲
Shape			