

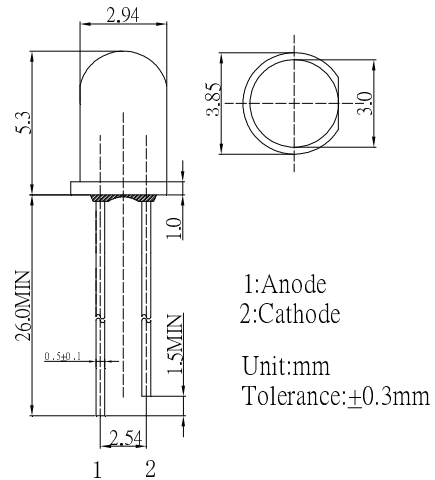
**■ Features**

- Low Current 1mA Operation
- 3mm Standard Directivity
- Superior Weather-resistance
- UV Resistant Epoxy
- Water Clear Type

**■ Applications**

- Back Light
- Small Area Illuminations
- Toys & Games
- General Purpose

**■ Outline Dimension**

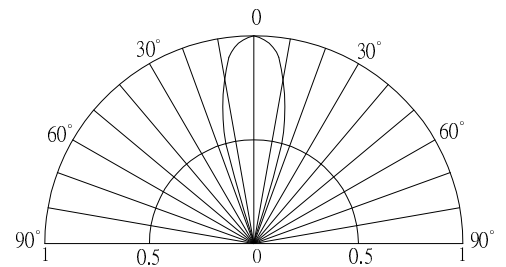


**■ Absolute Maximum Rating**

(Ta=25°C)

Item	Symbol	Value		Unit
		W/M/B/PG	YG/Y/O/R	
DC Forward Current	I <sub>F</sub>	30	30	mA
Pulse Forward Current*	I <sub>FP</sub>	100	100	mA
Reverse Voltage	V <sub>R</sub>	5	5	V
Power Dissipation	P <sub>D</sub>	102	66	mW
Operating Temperature	T <sub>opr</sub>	-30 ~ +85		°C
Storage Temperature	T <sub>stg</sub>	-40~ +100		°C
Lead Soldering Temperature	T <sub>sol</sub>	260°C/5sec		-

**■ Directivity**



\*Pulse width Max.10ms Duty ratio max 1/10

**■ Electrical -Optical Characteristics**

(Ta=25°C)

Part Number	Color			V <sub>F</sub> (V)			I <sub>R</sub> (μA)	I <sub>v</sub> (mcd)			λD(nm)			θ1/2(deg)
				Min.	Typ.	Max.	Max.	Min.	Typ.	Max.	Min.	Typ.	Max.	Typ.
				I <sub>F</sub> =1mA			V <sub>R</sub> =5V			I <sub>F</sub> =1mA				
OSW5DK3131A-1MA	White	W		2.6	2.8	3.4	10	750	1120	-	CCT:8000-18000K			30
OSM5DK3131A-1MA	Warm White	M	■	2.6	2.8	3.4	10	500	750	-	CCT:2700-3200K			30
OSB5SA3131A-1MA	Blue	B	■	2.6	2.8	3.4	10	330	500	-	465	470	475	30
OSG5DA3131A-1MA	Pure Green	PG	■	2.6	2.8	3.4	10	750	1120	-	520	525	530	30
OSG8HA3131A-1MA	Yellow Green	YG	■	1.5	1.8	2.2	10	68	100	-	565	570	575	30
OSY5JA3131A-1MA	Yellow	Y	■	1.5	1.8	2.2	10	120	150	-	585	590	595	30
OSO5JA3131A-1MA	Orange	O	■	1.5	1.8	2.2	10	120	150	-	600	605	610	30
OSR5JA3131A-1MA	Red	R	■	1.5	1.8	2.2	10	120	150	-	620	625	630	30

\*1 Tolerance of dominant wavelength is ±1nm

\*2 Tolerance of luminous intensity is ±15%