

Specification

Lithium Polymer Battery Pack (LP403450) 750mAh 3.7V with Protection Circuit Module (PCM)
 This data sheet describes the requirements and properties of lithium polymer rechargeable battery pack manufactured by AKYGA

Mechanical Characteristics

Type number: LP403450
 Designation IEC system: Lithium polymer battery pack
 Length: 50 ± 0.5 mm
 Width: 34 ± 0.5 mm
 Thickness: 4.0 ± 0.4 mm
 Cable: 150 ± 3.0 mm (26AWG UL1571)
 Connector: JST SYP-02T/02TV-1
 Weight: appr. 15.0g

Electrical Specification

Rated capacity: 750mAh min, 770mAh typ.
 Nominal voltage: 3.7V
 Max. operating voltage range: 3.0V to 4.2V
 Charge voltage: 4.2 ± 50 mV
 Initial charge current: Standard charge: 150mA
 Rapid charge: 375mA
 Charging cut-off (A or B)
 A) By time: Standard charge: 5 hours
 Rapid charge: 2 hours
 B) By min. current: 15mA
 Max continuous discharge current: 750mA
 Internal impedance (1kHz): approx 48mOhm
 Exp. cycle life: >500 cycles >80% of initial cap. (0.5C/0.5C)
 Cell protection
 Overcharge detection: 4.325 ± 25 mV
 (0.5 to 2.0 sec. delay, resume 4.075 ± 50 mV)
 Overdischarge detection: $3.00V \pm 25$ mV
 (6.25 to 250msec. delay, resume $2.9V \pm 100$ mV)

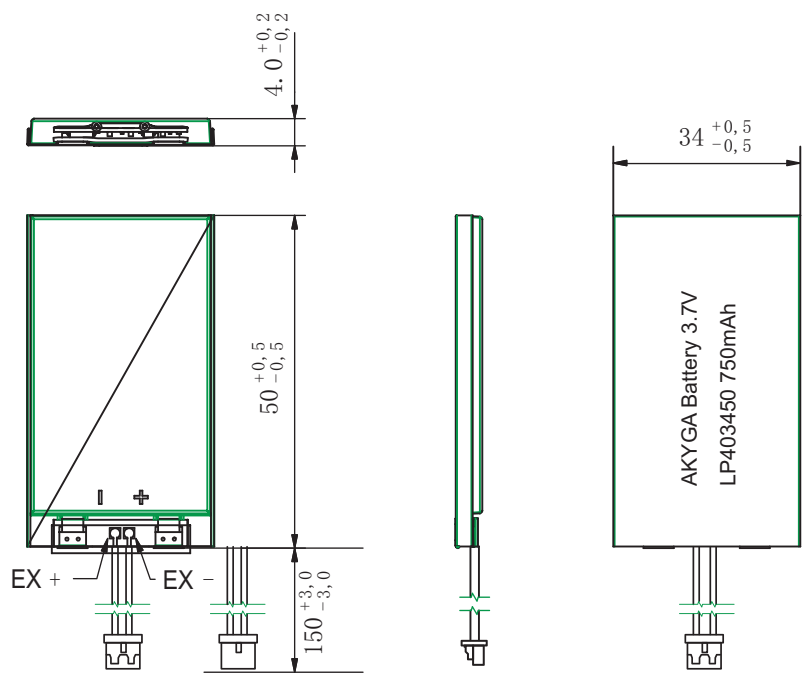
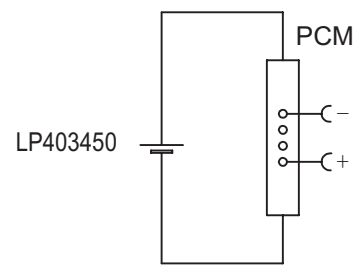
Ambient conditions

Temperature range
 Charge: 0 to +45°C
 Discharge: -20 to +60°C
 Charge retention/Storage: 1 year at -20 to 20°C >70%
 3 month at -20 to 45°C >70%
 1 month at -20 to 60°C >70%

Safety

Please follow handing and Safety Precautions Poliflex.

Circuit diagram



Index		Alteration		Date	Name	
Projection:		<input type="checkbox"/> Diese Maße werden besonders geprüft <input checked="" type="checkbox"/> This dimensions are considered inspectable		Material: 66451753 5134		
Maße in mm	Freimattoleranzen	Date	Name			
All dimensions in mm	Generaltoleranzen	Erst./Orig.	08.01.2014			Xie Qingfang
Als Betriebsgeheimnis anvertraut, alle Rechte vorbehalten.	up to 6: 0,1 over 6 up to 30: 0,2 over 30 up to 100: 0,3 over 100: 0,5	Bearb./Desig	08.01.2014			Guo Daxia
Proprietary data, company confidential, all rights reserved.		Benennung/Designation		Zchng. / Dwg.Nr.	Index	
		LP403450		3	FD_2262_26	
		Origin:				