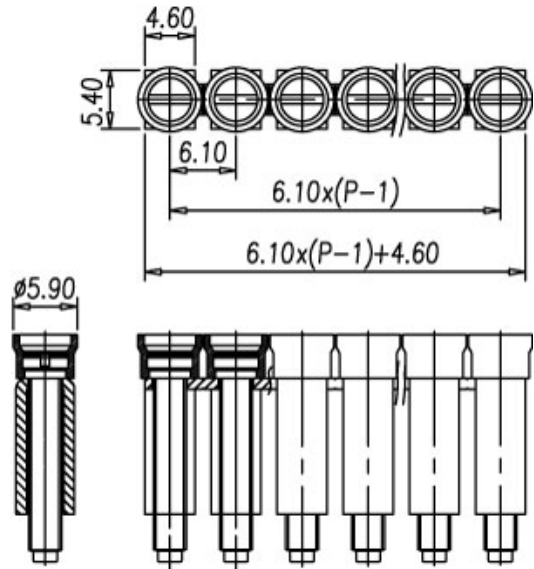


Accessory / Screw-on bridge



DSP4



| | | |
|--------------------|---------|--------|
| Suitable type | DK4 | DK4-PE |
| | | |
| | | |
| | | |
| Available position | 02P~10P | |