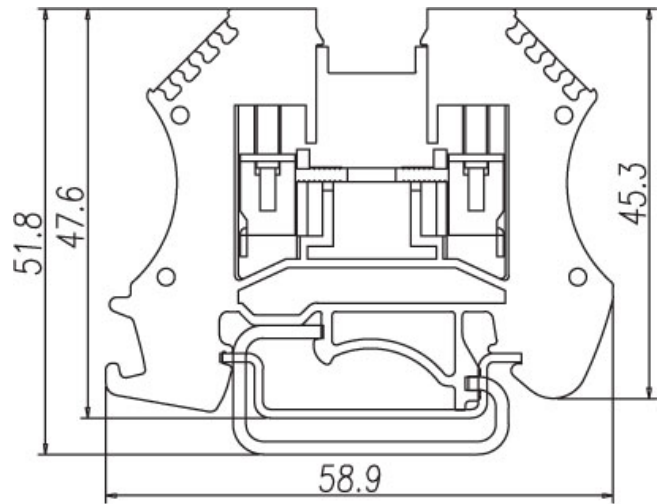
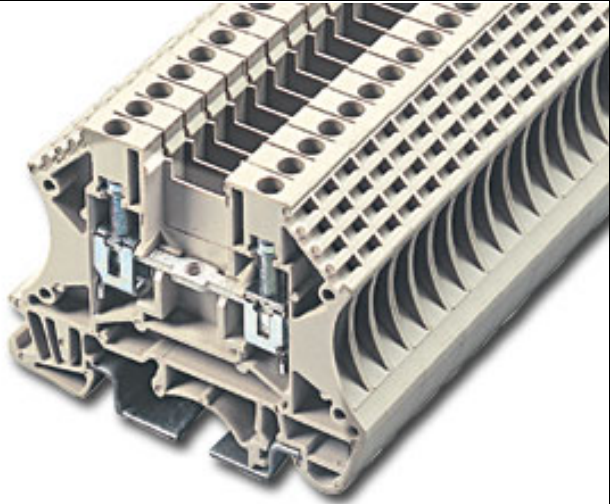




**DIN Rail terminal blocks / DK series**



**DK2.5**



Approval	 	
Technical Data	UL	IEC
Rated voltage	600V	630V
Rated current	25A	24A
Conductor cross-section, solid (AWG / mm <sup>2</sup> )	22~12 / 0.34~2.5	
Conductor cross-section, flexible (AWG / mm <sup>2</sup> )	22~12 / 0.34~2.5	
Rated impulse withstand voltage	8KV	
Torque (N-m)	0.5	
Screw	M3	
Wire strip length	10~12mm	
Insulating material	PA	
TxHxW (mm)	5.1 x 46.85 x 58.9	
Optional color	Cat. No.	
<span style="color: red;">●</span>	DK2.5-RD	
<span style="color: blue;">●</span>	DK2.5-BL	
<span style="color: black;">●</span>	DK2.5-BK	
<span style="color: orange;">●</span>	DK2.5-OR	



	Accessories	Cat. No.
End cover		DK2.5C
Partition		DKSPS-002
Small partition		DKSPS-001
Insertion bridge		
Insertion bridge	2 way	CSC-2.502P
	:	:
	:	:
	10 way	CSC-2.510P
Screw-on bridge	2 way	DS2.5-02P
	:	:
	:	:
	10 way	DS2.5-10P
Marking label		TM26
Mounting Rail		TS-35 / TS-32
Tool		0.4 x 2.5mm