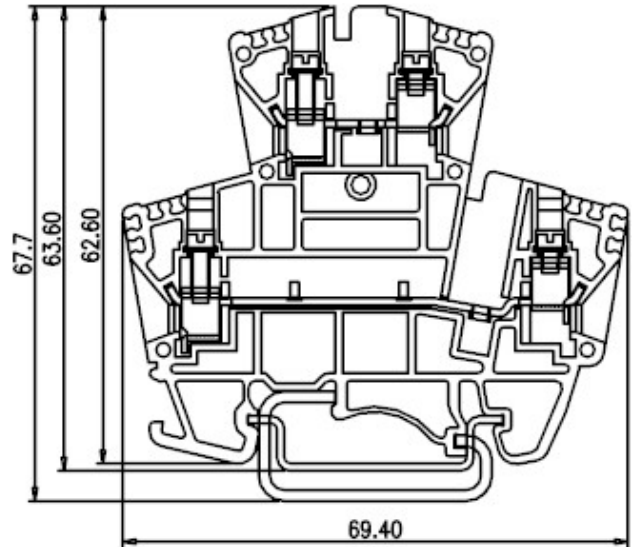
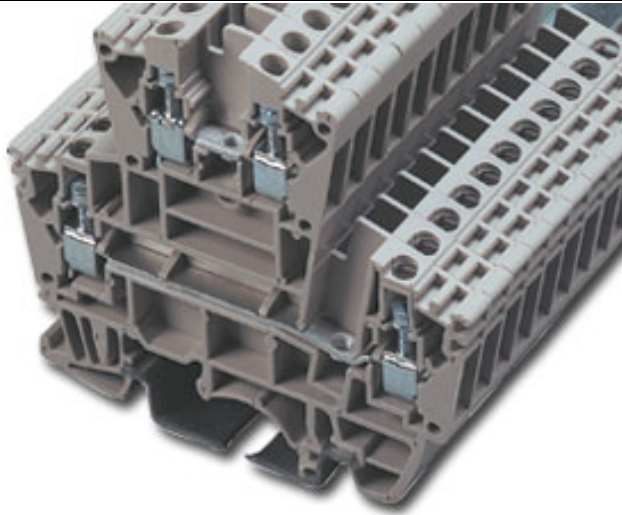


DIN Rail terminal blocks / DKK series



DKK2.5



Approval		
Technical Data	UL	IEC
Rated voltage	300V	400V
Rated current	20A	24A
Conductor cross-section, solid (AWG / mm ²)	22~12 / 0.5~2.5	
Conductor cross-section, flexible (AWG / mm ²)	22~12 / 0.5~2.5	
Rated impulse withstand voltage	6KV	
Torque (N-m)	0.4	
Screw	M2.5	
Wire strip length	6mm	
Insulating material	PA	
TxHxW (mm)	5.1 x 62.8 x 69.4	
Optional color	Cat. No.	
●	DKK2.5-RD	
●	DKK2.5-BL	
●	DKK2.5-BK	
●	DKK2.5-OR	



	Accessories	Cat. No.
End cover		DKK2.5C
Partition		
Small partition		
Insertion bridge	2 way	
	3 way	
	4 way	
	10 way	
Insertion bridge	2 way	CSC-2.502
	3 way	CSC-2.503
	4 way	CSC-2.504
	10 way	CSC-2.510
Screw-on bridge	2 way	DS2.5-02P
	3 way	DS2.5-03P
	4 way	DS2.5-04P
	10 way	DS2.5-10P
Marking label		TM20
Mounting Rail		TS-35 / TS-32
Tool		0.4 x 2.5mm