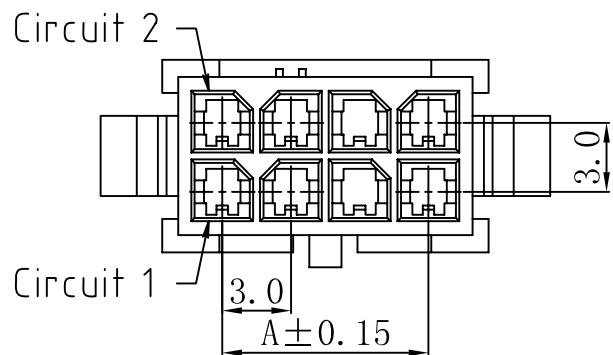


RoHS

REVISION DATE		
ITEM	DESCRIPTION	DATE
A	Issue	2012 05 14



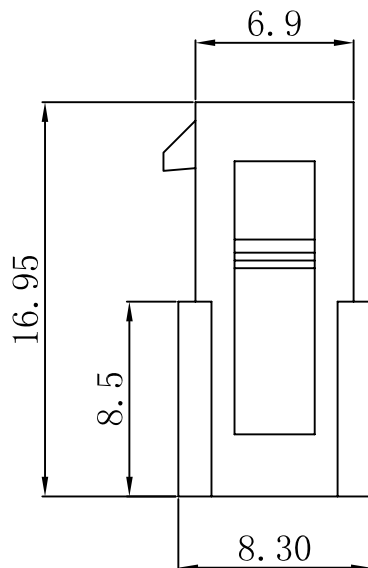
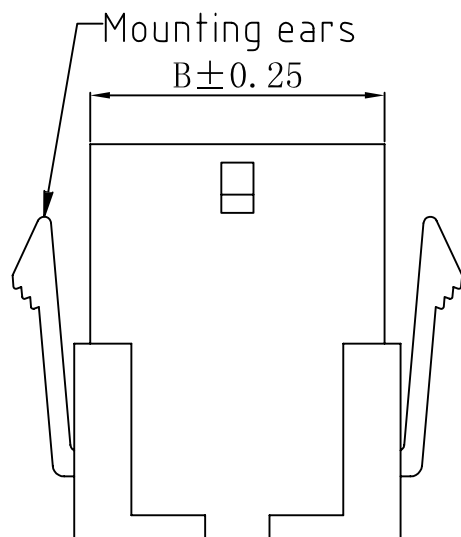
JVT3024HNO-2*XXL
 logo 系列码 有翅膀 pin数 胶壳 PA66 UL94V-0

■ SPECIFICATIONS

- Voltage rating: 250V AC/DC
- Current rating: 5.0A AC/DC
- Withstanding Voltage: 1500V AC/minute
- Insulation resistance: 1000mΩ Min.
- Temperature range: -40°C - +105°C
- Contact resistance: 10mΩ Max.

HOUSING

- Part No. : JVT3024HNO-2*XXL
- Poles: 02-24
- Material: Nylon 66 UL 94V-0
- Q' ty: 1000PCS/Bag



Poles	Dimensions (mm)	
	A	B
02	----	3.85
04	3.00	6.85
06	6.00	9.85
08	9.00	12.85
10	12.00	15.85
12	15.00	18.85
14	18.00	21.85
16	21.00	24.85
18	24.00	27.85
20	27.00	30.85
22	30.00	33.85
24	33.00	36.85

投影 (PROJECT)		公差 (TOLERANCE)
单位 (UNIT)	mm	0 ± 0.50
比例 (SCALE)	FIT	0.0 ± 0.30
版本 (EDITION)	A	0.00 ± 0.20
日期 (DATE)	2012 05 14	0.000 ± 0.10

东莞市乔业电子有限公司
 DONG GUAN CHYAO YEE (JVT) CONNECTORS CO., LTD.

绘图 (DRAWN)	YongJun	料号 (PART NO)	JVT3024HNO-2*XXL	页次 (PAGE)
审核 (CHECKED)		图号 (DRAW NO)	031-3024	1/1
核准 (APPROVE)		品名 (NAME)	MX3.0MM HSG Female Dual Row	