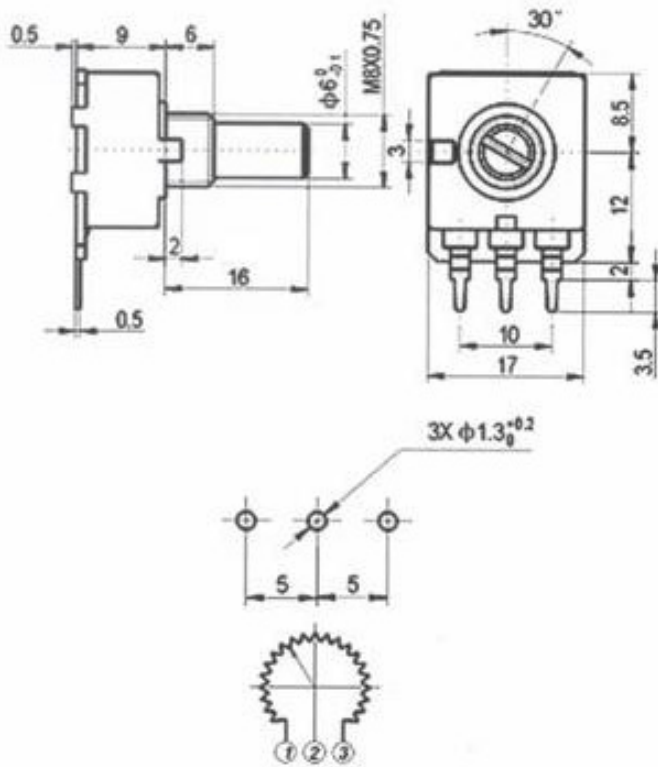


Single Turn Cermet Potentiometer With WI20 Type size:



Electrical Characteristics

Standard Resistance Range: $100\Omega \sim 1M\Omega$

Resistance Tolerance: $\pm 20\%$

Resistance Type: B

Max. Operating Voltage: 20Vac

Power Rating: 1W

Slider Noise: 447m

Insulation Resistance: 1100Ω at DC 500V

Withstand Voltage: 500Vac

Mechanical Characteristics

Total Rotational Angle: $300 \pm 10^\circ$

Rotational torque: $1 \sim 5 \text{ mN.m}$

Rotational Life: 10000 Cycles