

1

2

3

4

5

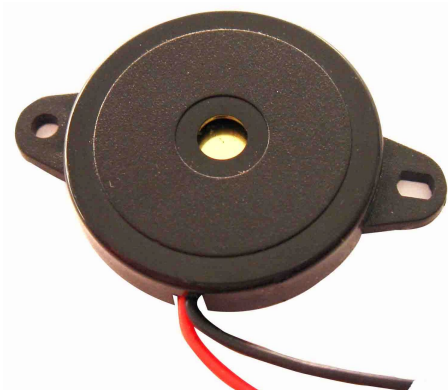
6

7

8

APPEARANCE :

SPECIFICATION

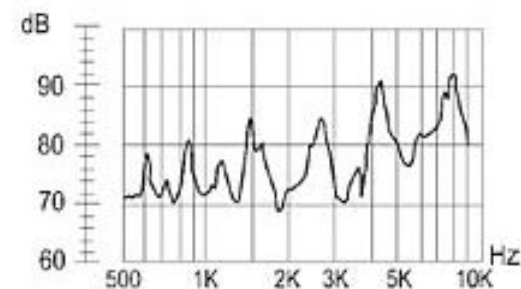
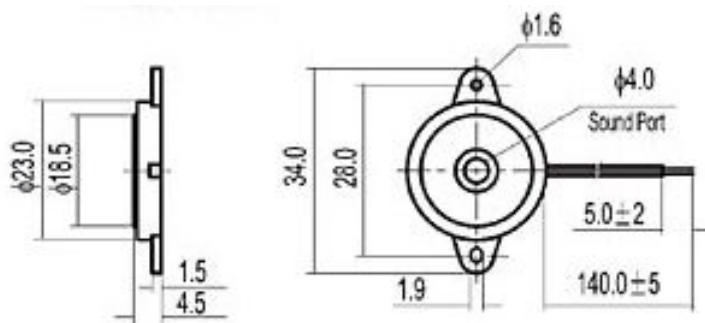


Electrical and Acoustic Characteristics.

Dimensions	$\phi 23 \times 34$ H:4.5
Rated voltage(Vp-p)	12
Operating Voltage(Vp-p)	1~40
Rated Current(mA)	≤ 5
Sound Output at 10cm(dB)	≥ 80
Generated Frequency(Hz)	4000 ± 500
Capacitance(nF)	$15 \pm 30\%$
Operating Temperature	$-20 \sim +70^{\circ}\text{C}$
Store Temperature	$-30 \sim +80^{\circ}\text{C}$
Case Material	ABS
Weight(g)	2

DIMENSIONS :

FREQUENCY RESPONSE :



UNLESS OTHERWISE SPECIFIED DIMENSION ARE IN MILLIMETER AND (INCHES)		MATERIAL SILICONE RUBBER 60°		TIANER TECHNOLOGY CO., LTD. http://www.itianer.com	
DECIMALS .XX ±0.50 (0.02) .XXX ±0.025 (0.001) ±1° DO NOT SCALE DRAWING		FINISH BLACK		TITLE Passive piezo buzzer	
THIRD ANGLE PROJEC TION		DWN BY	DATE	UNIT mm	DWG NO/ PART NO TE-HPA23B-W-H4.5
		CHK BY	DATE	SCALE 5:1	REV 01
		DESIGN J.M.	DATE 09/08/22	RELEASE DATE 2010/2/7	SHEET

1

2

3

4

5

6

7

8