

PRECISION POWR RESISTORS Aluminum Housed (Chassis Mount)

FEATURE :

- High power rating, small size and ultra precision
- Standard winding & non-inductive winding types.
- High stability, strong construction.

GENERAL SPEC :

Wattage Range: 6 styles to choose ranging from 5 to 250 watts.

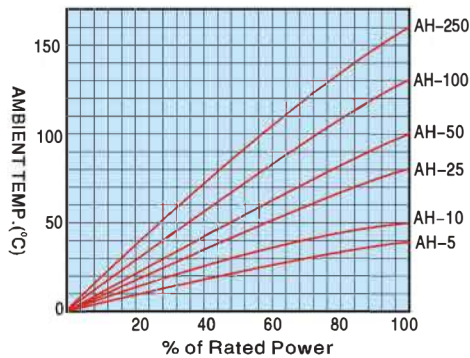
Resistance Tolerance: 10%, 5%, 3%, 2%, 1%, 0.5%

Operating Temperature Range: -55° to +275° C

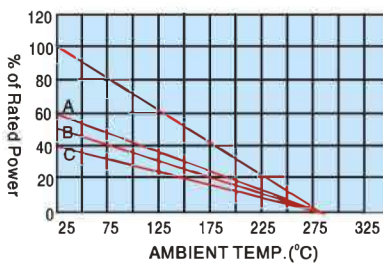
Dielectric Strength: AH - 5AH - 10AH - 25 1000VAH - 50 1500VAH - 100AH - 250 2500V

Temperature Coefficient of Resistance: Standard T. C. : $\pm 30\text{PPM}/^\circ\text{C}$ and up, $\pm 50\text{PPM}/^\circ\text{C}$ = 1 to 9.99 $\Omega \pm 9$ OPPM/ $^\circ\text{C}$ = below 1 Ω

SURFACE TEMPERATURE VERSUS POWERLOAD (on Chassis)



DERATING



Derating required to reduce chassis mounting area and high ambient temperatures. Curves A-S & 10 watt unmounted. B-25 watt unmounted. C-50, 100 & 250 watt unmounted.

HOW TO ORDER

AH50 20 Ω D
Type Resistance Tolerance

Resistance Tolerance	Code
$\pm 0.5\%$	D
$\pm 1\%$	F
$\pm 2\%$	G
$\pm 3\%$	H
$\pm 5\%$	J
$\pm 10\%$	K



STANDARD ELECTRICAL SPEC.

Type	MIL Style	Wattage Rating	Resistance Range (Ω)		MAX Wcring (V)		(g) MAX Weight	Proper heat sink (aluminum chassis)
			A N Inactive	A H N Noninductive	A H	A H N		
AH-5	RE60	5	0.05 - 3k	0.1 - 1 k	120	70	3	152X102X51X1t
AH-10	RE65	10	0.02 - 6k	0.03 - 2.3k	245	180	7	152X102X51X1t
AH-25	RE70	25	0.012 - 15k	0.02 - 5.5k	500	300	15	178X127X51X1t
AH-50	RE75	50	0.01 - 40k	0.02 - 12 k	1300	500	33	305X305X1.5t
AH-100	RE77	100	0.4 - 50k	0.12 - 25 k	1900	1340	450	305X305X3t
AH-250	RE80	250	0.6 - 80k	0.15 - 40 k	2500	1750	800	305X305X3t

PERFORMANCE

Parameters	Test Conditions	Specifications
Short Time Over Load	5X wattage rating • 5sec.	$\Delta R \pm (0.5X + 0.05 \Omega)$ MAX
Moisture Resistance	temp 40°C moisture 95:0C 100v5C0Hr	$\Delta R \pm (0.5X + 0.05 \Omega)$ MAX
Moisture Load Life	temp 40°C moisture 95:1/10X wattage rating (1.5Hr ON - 0.5Hr OFF) • Repeat 1000Hr	$\Delta R \pm (0.5X + 0.05 \Omega)$ MAX
Load Life	Load Rating (Chassis mounted) (1.5Hr ON 0.5Hr OFF) Repeat 1 C00Hr	$\Delta R \pm (1.5X + 0.05 \Omega)$ MAX
Vibration	10c/s-50c/s 10c/s (min)-2H reach of Paralleled and right angle	$\Delta R \pm (0.5X + 0.05 \Omega)$ MAX
Heat Resistance	275°C 2Hr	$\Delta R \pm (0.5X + 0.05 \Omega)$ MAX
Dielectric Strength	AH-5 AH-10 AH-25 1000V AH-50 1500V AH-100 AH-250 2500V	$\Delta R \pm (0.2X + 0.05 \Omega)$ MAX
Insulation Resistance	Under the same test condition of Dielectric Strength. Load DC5DCV and measure the Insulation R.	1000M Ω min
Ternal Strength	(1) Pull Test (30sec Nin) AH-5 1kg. AH-10 2.3kg. AH-25. AH-50 4.5kg (2) Torque Test (5-15sec) AH-100 27kg • cm. AH-250 36kg • cm	$\Delta R \pm (0.2X + 0.05 \Omega)$ MAX

Materials:

Encapsulant: Silicone

Endcaps: Stainless steel

Core: Ceramic steatite or alumina

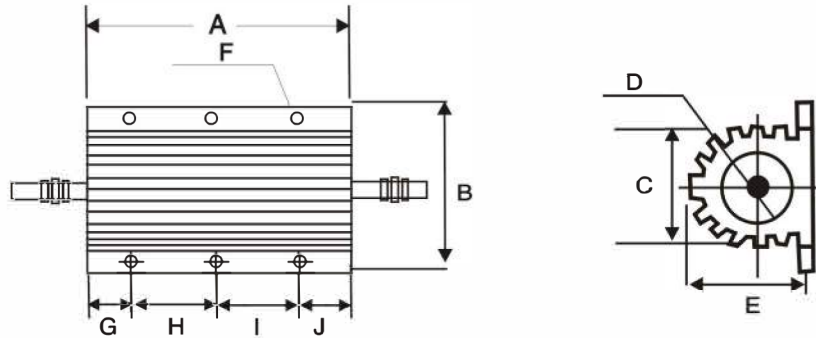
Housing: Aluminum with hardanodic coating

Element: Copper-nickel alloy, nickel-chrome alloy or manganese copper

Standard Terminals: 5-50W Tinned terminals

100-250W Threaded terminals

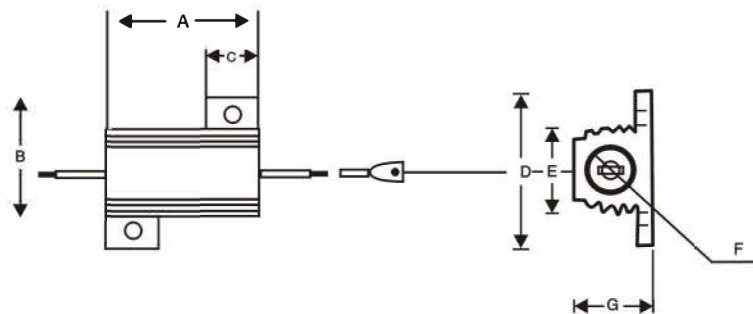
DIMENSIONS
AH-75-300
AHN-75-300



CHINA TYPE

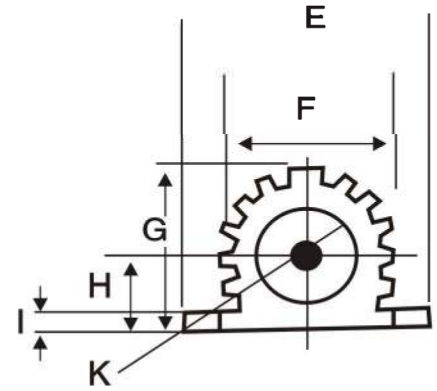
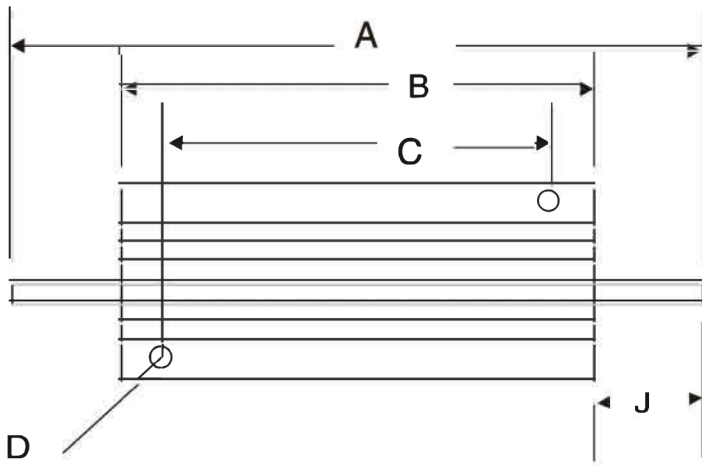
TYPE	DIMENSIONS (mm)									
	A±1	B±1	C±0.5	D±0.5	E±0.5	F	G	H	I	J
AH-75 AHN-75	67	48	22	17	26	4	16	TWO HOLES		16
AH-100 AHN-100	98	48	22	17	26	6	14	35	35	14
AH-150 AHN-150	136	48	22	17	26	6	12	56	56	12
AH-200 AHN-200	155	48	22	17	26	6	12.5	65	65	12.5
AH-250 AHN-250	170	48	22	17	26	6	20	65	65	20
AH-300 AHN-300	128	72	45	32	41	6	12	52	52	12

DIMENSIONS
AH-5 AH-10
AHN-5 AHN-10
AH-25 AH-50
AHN-25 AHN-50



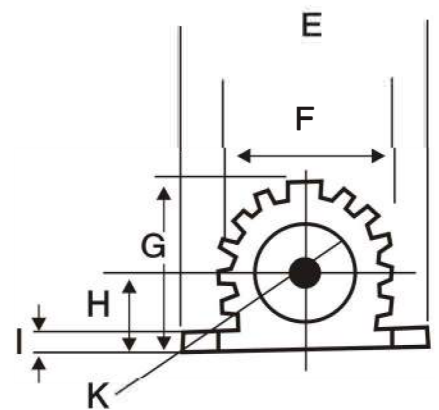
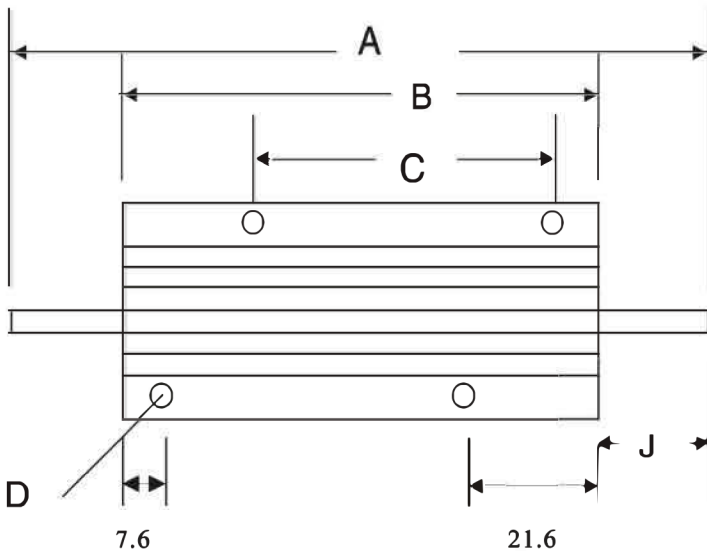
CHINA & TAIWAN
SAME TYPE

TYPE	DIMENSIONS (mm)						
	A±1	B±0.5	C±0.5	D±1	E±0.5	F	G
AH-5 AHN-5	15	13	4	17	9.5	6	8
AH-10 AHN-10	20	17	6	23	10.5	7.5	10.5
AH-25 AHN-25	28	21	10	27	13	10	14
AH-50 AHN-50	50	23	10.5	29.5	15	11	15.5



TAIWAN TYPE

Power Rating	Dimensions (mm)										
	A±2.5	B±1	C±1	D±0.5	E±0.5	F±0.5	G±1	H±0.5	I±0.5	J±1	K±0.1
AH-100W	122	90	75	5	71.5	45	44	20	4.4	16	M5
AH-100WS	98.5	66	35	4.5	47	27	25	13	3.2	10.5	M4



TAIWAN TYPE

Power Rating	Dimensions (mm)										
	A±2.5	B±1	C±1	D±0.5	E±0.5	F±0.5	G±1	H±0.5	I±0.5	J±1	K±0.1
AH-250W	178	114	75	5	77	57	55.5	25	5	32	M6