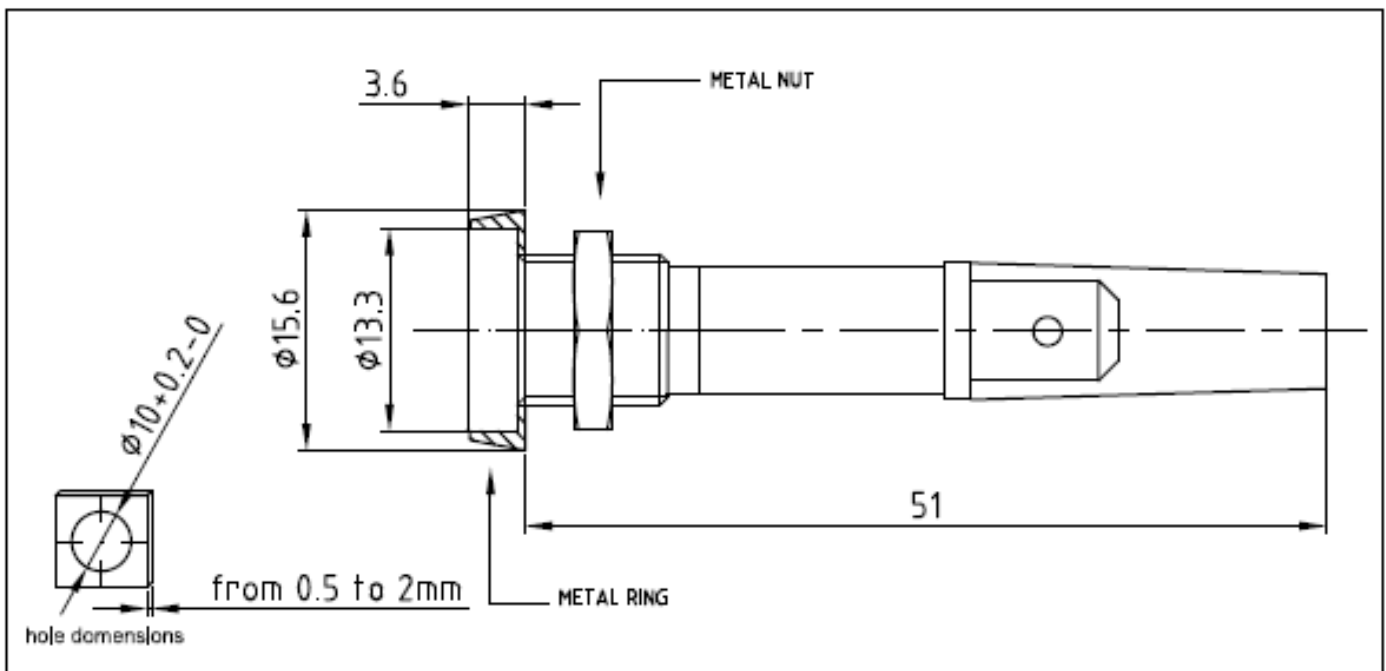


LIGHT INDICATORS

File:
5005953

DESCRIPTION TBF010 SC15/A RED NEON 250V T120°C MALE FASTON 6,3X0,8mm (with metal ring and metal nut)



CHARACTERISTICS

RUNNING VOLTAGE	VAC	12
STRIKING VOLTAGE	VAC	//
ABSORBED CURRENT	mA	18 Max
LIFE HOURS	h	> 30000
WORKING TEMPERATURE	°C	120

APPROVALS	VDE - UL/CSA
-----------	--------------

COMPONENTS

LAMP	NEON
LENS	SC15/A TRANSPARENT RED POLYCARBONATE
BODY	POLYCARBONATE
CONNECTION	BRASS MALE FASTON 6,3X0,8mm

QUALITY CONTROL

AQL based on form m10-01 and operative instruction IS10-01

20/01/16	0		M. Cattani	P. L. Cattani
data	r	note	drawing by	approved by