

B0XXMF / BSXXMF SERIES

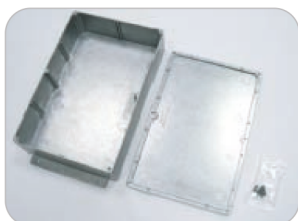
IP66 DIE-CAST ALUMINIUM ENCLOSURES



PRODUCT INFORMATION

- Material: aluminium alloy ADC-12 to Japan (JIS)
- Finish: natural aluminium color.
- Tapped holes on the body to seize the cover easily.
- M3.5 countersunk stainless screws are included to seize the cover and the body.
- Mounting flange is designed on the bottom of the body, so that it can be mounted on the wall easily.
- IP66 Rating of aluminium boxes are available for ordering.

Example



B011MF

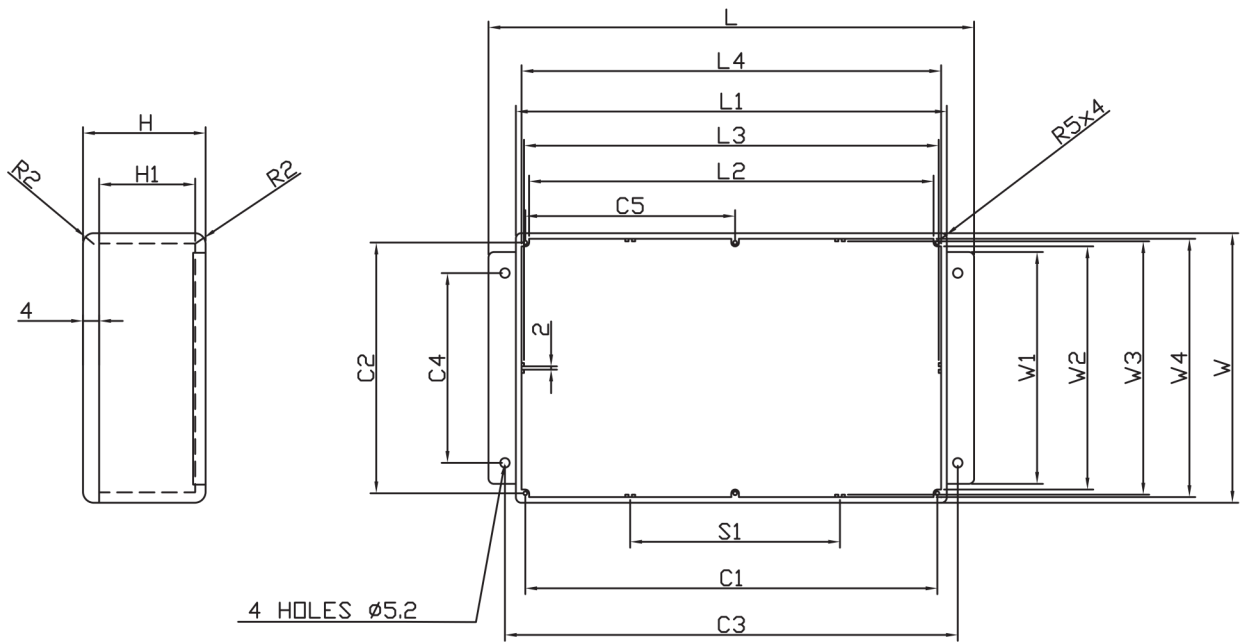


BS37MF

NO SEAL (without adhesive seal)	IP66 RATING (with adhesive seal)	EXTERNAL DIMENSION(mm)
ITEM No.	ITEM No.	
B011MF	BS11MF	222 x 146 x 55
B013MF	BS13MF	114 x 64 x 30
B015MF	BS15MF	114 x 64 x 55
B023MF	BS23MF	120 x 100 x 35
B025MF	BS25MF	114 x 90 x 55
B027MF	BS27MF	171 x 121 x 55
B029MF	BS29MF	140 x 100 x 75
B033MF	BS33MF	165 x 127 x 75
B037MF	BS37MF	89 x 35 x 30
B039MF	BS39MF	171 x 121 x 106

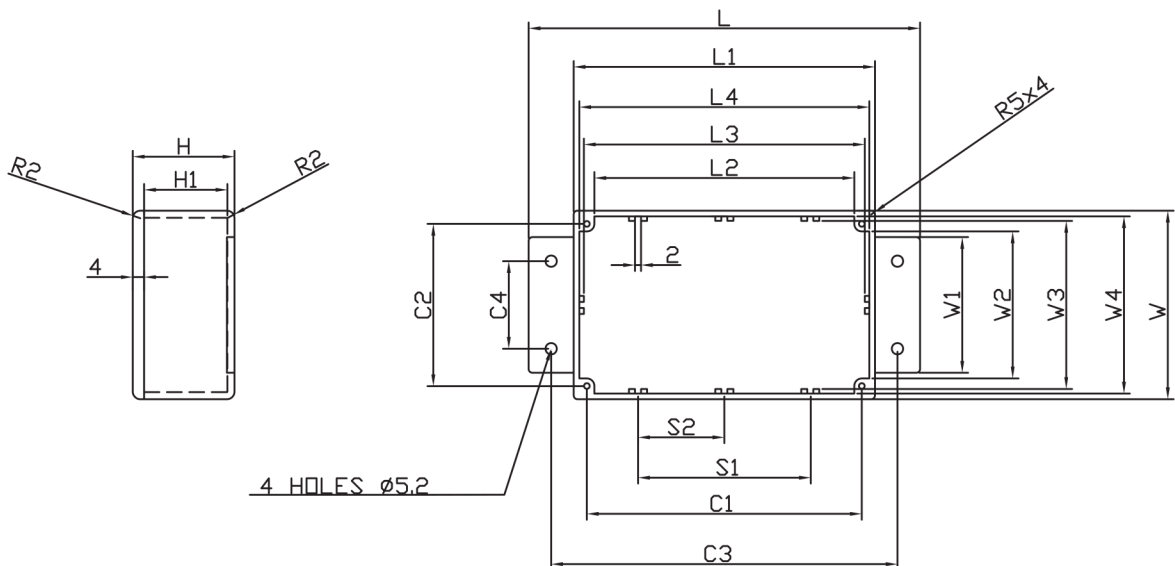
LIGHT GREY(LG), BLACK(BK) OF POWDER COATED ALUMINIUM ENCLOSURES ARE AVAILABLE FOR ORDERING . JUST NEED TO ADD THE COLOR CODE AFTER THE ITEM NO. Ex: B011MFLG, B013MFBK

B011MF/BS11MF, B027MF/BS27MF, B033MF/BS33MF, B039MF/BS39MF



Galnta Item NO.	L	L1	W	W1	H	C1	C2	C3	C4	S1	L2	L3	L4	W2	W3	W4	C5	H1
B027MF/BS27MF	201.7	171.9	121.2	100.1	55.3	160.6	109.5	189.0	80.0	80.0	154.2	163.4	168.9	103.1	112.4	117.8	80.3	48.4
B039MF/BS39MF	201.7	171.9	121.2	100.2	105.4	160.6	109.5	188.9	80.0	80.0	154.3	163.4	168.7	103.2	112.2	117.7	80.3	99.2
B011MF/BS11MF	252.0	222.3	146.1	117.7	55.5	211.7	135.6	238.0	98.0	100.1	205.9	213.7	218.6	129.2	137.8	142.0	105.8	48.9
B033MF/BS33MF	194.8	165.6	127.4	100.0	76.3	154.1	116.1	182.2	80.0	78.0	147.5	157.4	162.3	109.7	118.8	124.0	77.2	69.8

B013MF/BS13MF, B015MF/BS15MF



Galnta Item NO.	L	L1	W	W1	H	C1	C2	C3	C4	S1	S2	L2	L3	L4	W2	W3	W4	H1
B013MF/BS13MF	139.7	114.6	63.8	44.7	30.0	104.5	54.2	127.0	30.0	60.1	30.0	98.1	107.3	111.4	47.6	56.6	60.6	24.4
B015MF/BS15MF	139.6	114.6	63.8	44.9	55.0	104.6	54.3	127.1	30.0	60.1	30.0	98.1	107.3	111.4	47.5	56.5	60.7	49.1