

IP66 DIE-CAST ALUMINIUM ENCLOSURES



PRODUCT INFORMATION

- Material: aluminium alloy ADC-12 to Japan (JIS)
- Finish: natural aluminium color.
- Tapped holes on the body to seize the cover easily.
- M3.5 countersunk stainless screws are included to seize the cover and the body.

LIGHT GREY(LG), BLACK(BK) OF POWDER COATED ALUMINIUM ENCLOSURES ARE AVAILABLE FOR ORDERING .

JUST NEED TO ADD THE COLOR CODE AFTER THE ITEM NO. Ex: B011LG, B013BK, BS11LG, BS13BK

Example



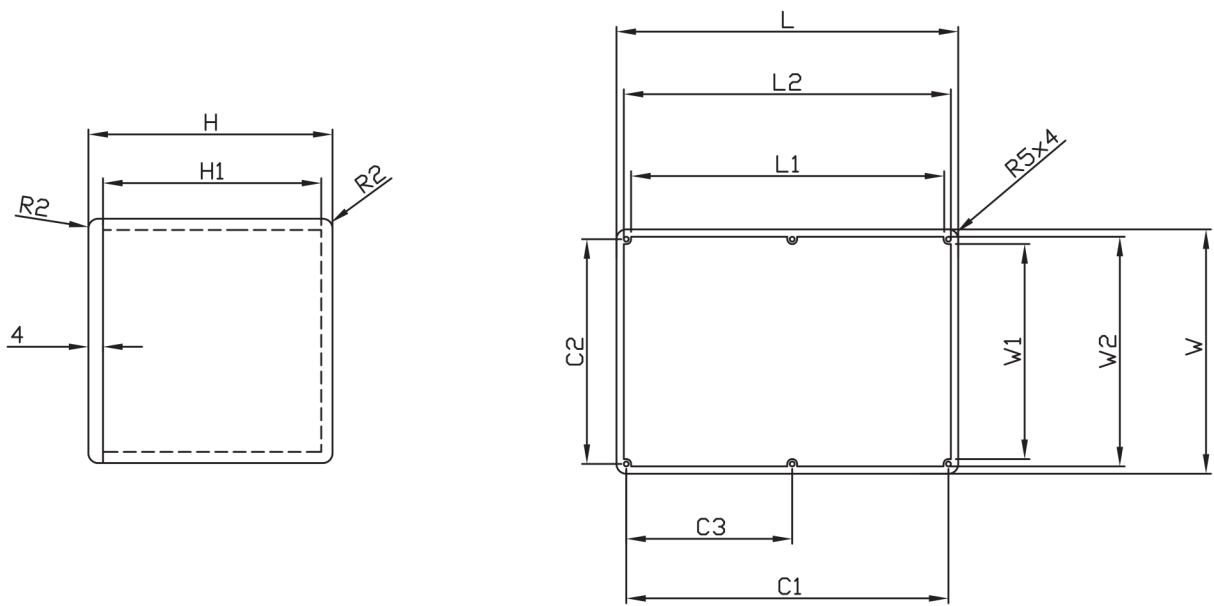
B027



BS37

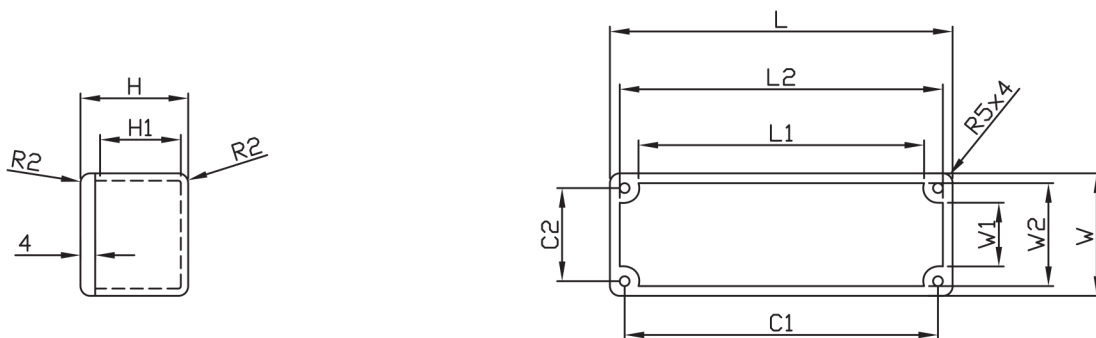
NO SEAL (without adhesive seal)	IP66 RATING (with adhesive seal)	EXTERNAL DIMENSION(mm)
ITEM No.	ITEM No.	
B011	BS11	222 x 146 x 55
B013	BS13	114 x 64 x 30
B015	BS15	114 x 64 x 55
B017	BS17	222 x 146 x 106
B019	BS19	275 x 175 x 65
B021	BS21	250 x 250 x 100
B023	BS23	120 x 100 x 35
B025	BS25	114 x 89 x 55
B027	BS27	171 x 121 x 55
B029	BS29	140 x 100 x 75
B031	BS31	80 x 55 x 25
B033	BS33	165 x 127 x 75
B035	BS35	60 x 55 x 30
B037	BS37	89 x 35 x 30
B039	BS39	171 x 121 x 106

B011/BS11, B017/BS17, B027/BS27, B039/BS39



Gainta Item NO.	L	W	H	C1	C2	L1	L2	W1	W2	C3	H1
B027/BS27	171.9	120.9	55.0	160.4	109.3	153.9	168.1	102.9	117.0	80.3	49.0
B039/BS39	171.9	120.9	106.0	160.4	109.3	153.8	168.0	102.8	116.9	80.3	100.1
B011/BS11	222.1	145.9	55.9	211.7	135.4	205.0	218.7	129.0	141.8	105.8	49.2
B017/BS17	222.2	146.0	106.5	211.7	135.4	205.1	218.9	129.1	141.8	105.8	100.1

B013/BS13, B015/BS15, B025/BS25, B037/BS37



Gainta Item NO.	L	W	H	C1	C2	L1	L2	W1	W2	H1
B037/BS37	89.1	35.0	30.3	79.3	25.3	72.8	85.9	18.7	31.9	24.8
B013/BS13	114.5	63.6	30.3	104.5	54.2	98.3	111.5	47.7	60.9	24.7
B025/BS25	114.7	89.7	55.1	104.4	79.6	98.4	111.5	73.0	86.2	49.3
B015/BS15	114.4	63.7	55.1	104.6	54.2	98.3	111.5	47.6	60.8	49.3