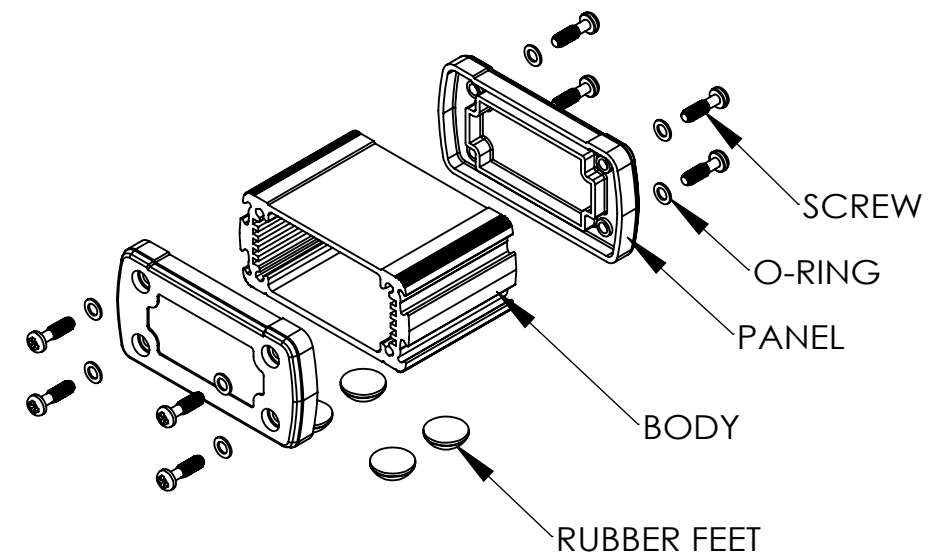
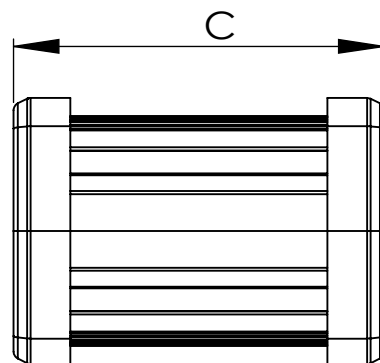
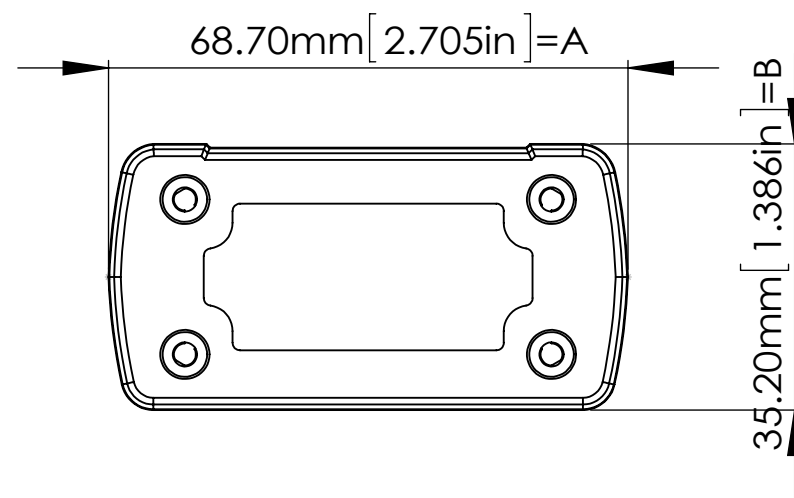


ITEM NO	BODY	PANEL	O-RING	RUBBER FEET	SCREW	EXTERNAL DIMENSION(mm) AXBXC
ALUG702GD040-C	ALUMINIUM EXTRUSION 6063/ GOLDEN ANODIZED(PANTONE 4675C)	UL94-V0 OF POLYCARBONATE/CLEAR	Ø6X0.5 mm MATERIAL:PC COLOR:CLEAR	Ø12X5 mm MATERIAL:RUBBER (GAINTA ITEM NO:RF-1004) COLOR:BLACK	M3.5X12 mm MATERIAL:STAINLESS SUS 304 COLOR:UNFINISHED	68.7X35.2X49 mm
ALUG702SR040-C	ALUMINIUM EXTRUSION 6063/ SILVER ANODIZED(PANTONE 877C)	UL94-V0 OF POLYCARBONATE/CLEAR				
ALUG702RD040-IR	ALUMINIUM EXTRUSION 6063/ RED ANODIZED(PANTONE 187C)	UL94-V0 OF POLYCARBONATE/TRANSLUCENT RED				
ALUG702BU040-CBU	ALUMINIUM EXTRUSION 6063/ BLUE ANODIZED(PANTONE 306C)	UL94-V0 OF POLYCARBONATE/TRANSLUCENT BLUE				
ALUG702BK040-BK	ALUMINIUM EXTRUSION 6063/ BLACK ANODIZED(PANTONE BLACK U)	UL94-V0 OF POLYCARBONATE/BLACK				
ALUG702GD080-C	ALUMINIUM EXTRUSION 6063/ GOLDEN ANODIZED(PANTONE 4675C)	UL94-V0 OF POLYCARBONATE/CLEAR	Ø6X0.5 mm MATERIAL:PC COLOR:CLEAR	Ø12X5 mm MATERIAL:RUBBER (GAINTA ITEM NO:RF-1004) COLOR:BLACK	M3.5X12 mm MATERIAL:STAINLESS SUS 304 COLOR:UNFINISHED	68.7X35.2X89 mm
ALUG702SR080-C	ALUMINIUM EXTRUSION 6063/ SILVER ANODIZED(PANTONE 877C)	UL94-V0 OF POLYCARBONATE/CLEAR				
ALUG702RD080-IR	ALUMINIUM EXTRUSION 6063/ RED ANODIZED(PANTONE 187C)	UL94-V0 OF POLYCARBONATE/TRANSLUCENT RED				
ALUG702BU080-CBU	ALUMINIUM EXTRUSION 6063/ BLUE ANODIZED(PANTONE 306C)	UL94-V0 OF POLYCARBONATE/TRANSLUCENT BLUE				
ALUG702BK080-BK	ALUMINIUM EXTRUSION 6063/ BLACK ANODIZED(PANTONE BLACK U)	UL94-V0 OF POLYCARBONATE/BLACK				
ALUG702GD120-C	ALUMINIUM EXTRUSION 6063/ GOLDEN ANODIZED(PANTONE 4675C)	UL94-V0 OF POLYCARBONATE/CLEAR	Ø6X0.5 mm MATERIAL:PC COLOR:CLEAR	Ø12X5 mm MATERIAL:RUBBER (GAINTA ITEM NO:RF-1004) COLOR:BLACK	M3.5X12 mm MATERIAL:STAINLESS SUS 304 COLOR:UNFINISHED	68.7X35.2X129 mm
ALUG702SR120-C	ALUMINIUM EXTRUSION 6063/ SILVER ANODIZED(PANTONE 877C)	UL94-V0 OF POLYCARBONATE/CLEAR				
ALUG702RD120-IR	ALUMINIUM EXTRUSION 6063/ RED ANODIZED(PANTONE 187C)	UL94-V0 OF POLYCARBONATE/TRANSLUCENT RED				
ALUG702BU120-CBU	ALUMINIUM EXTRUSION 6063/ BLUE ANODIZED(PANTONE 306C)	UL94-V0 OF POLYCARBONATE/TRANSLUCENT BLUE				
ALUG702BK120-BK	ALUMINIUM EXTRUSION 6063/ BLACK ANODIZED(PANTONE BLACK U)	UL94-V0 OF POLYCARBONATE/BLACK				



宣又實業有限公司
GAINTA INDUSTRIES LTD.

繪圖 DRA'D BY
JACKY

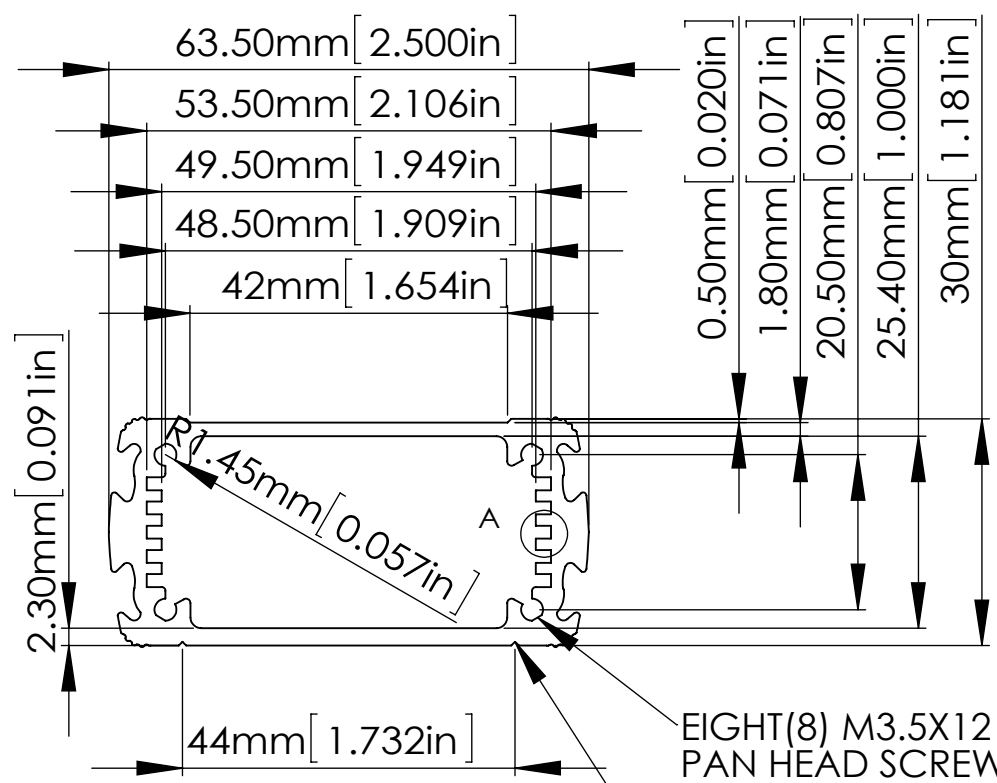
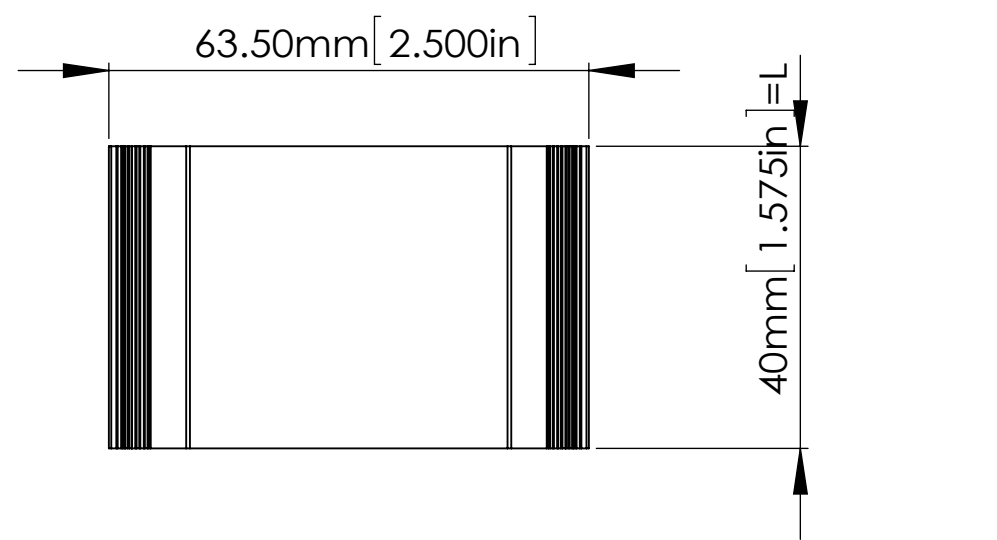
日期 DATE
2015/09/01

材質 MATE.
--

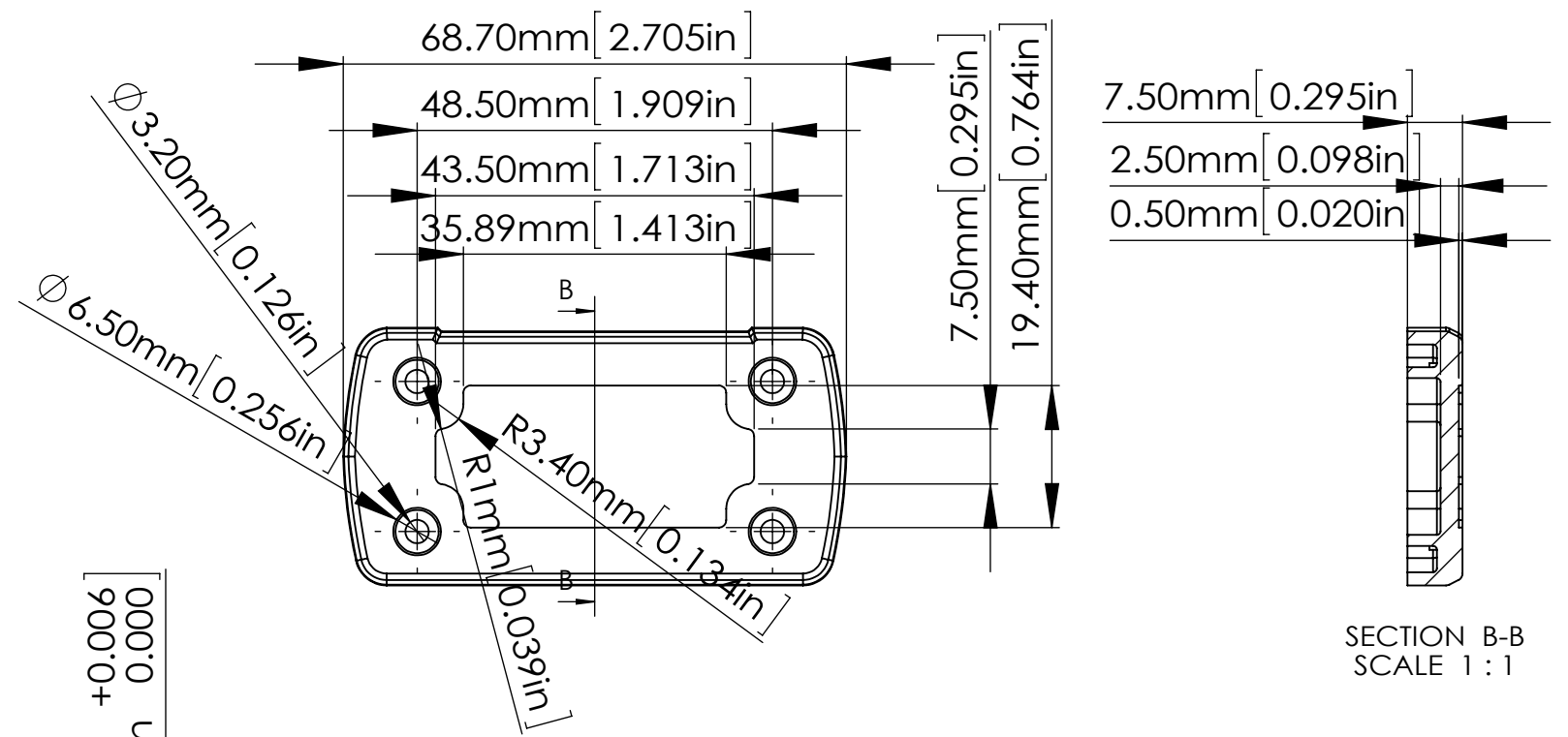
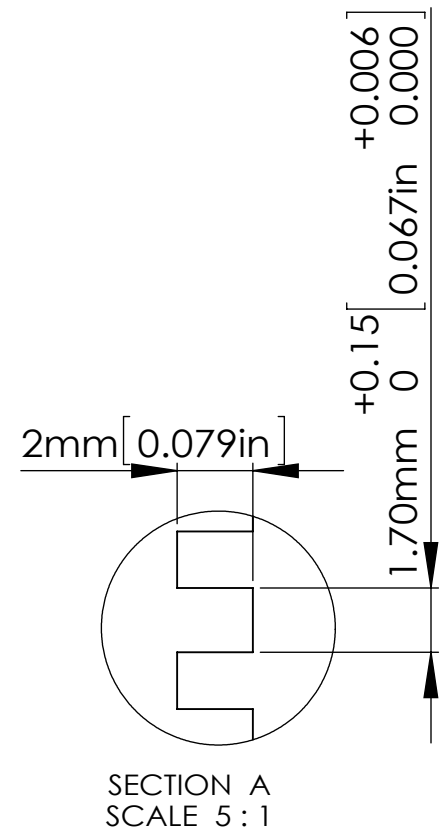
圖名TITLE:
ALUG702XXXXX-XXX

圖號DWG NO:

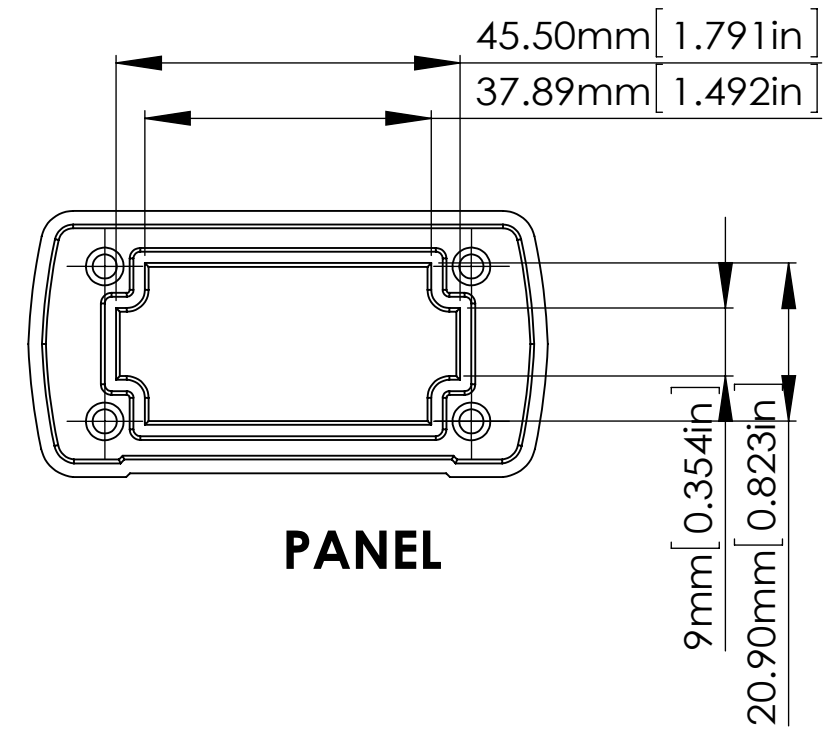
版次REVISED:
A



EIGHT (8) M3.5X12 mm
PAN HEAD SCREWS.
RUBBER FEET ADHESIVE LINE



SECTION B-B
SCALE 1:1



PANEL

ITEM NO.	L(mm)
ALUG702XX040-XXX	40 mm
ALUG702XX080-XXX	80 mm
ALUG702XX120-XXX	120 mm

BODY

According to ISO 2768-m	
Measuring DIM=L	Tolerances
0.5<L<=3.0mm	±0.1mm
3.0<L<=6.0 mm	±0.1mm
6.0<L<=30.0 mm	±0.2mm
30.0<L<=120.0 mm	±0.3mm
120.0<L<=400.0 mm	±0.5mm
400.0<L<=1000.0 mm	±0.8mm

宣又實業有限公司 GAINTA INDUSTRIES LTD.	繪圖	DRA'D BY	日期	DATE	材質	MATE.	圖名TITLE:	圖號DWG NO:	版次REVISED:
		JACKY	2015/06/01		--		ALUG702XXXXX-XXX		A