

Proximity sensor

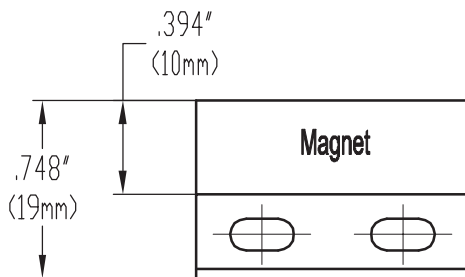
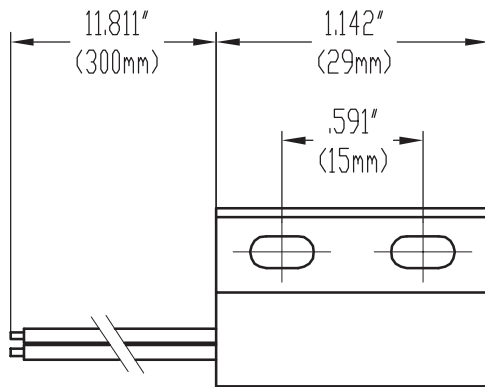
KLS26-MR2919 Proximity sensor

Material:

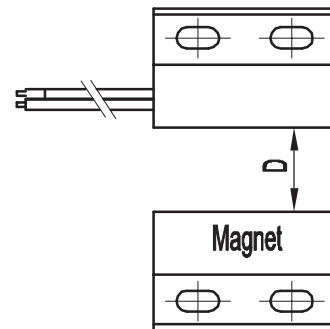
Magnet:Ferrite
Float body:ABS
Wire:UL 1007 24# black
Filling:epoxy glue
Reed switch:324

Electrical Specification:

Contact rating:10W
Max switching current:DC100/AC100
Breakdown voltage:150 min
Max switching voltage:DC0.5
Max carry current:1.0A
Contact resistance:100 max
Insulation resistance: 10^{10} min
Get an electric shock life: 10^7
Applicable temperature:-10°C~+85°C



Movement explanation



Movement explanation:
When $D=18\pm 1$ mm, the reed switches will be closed.

ORDER INFORMATION

Product NO.: KLS26-MR2919

