

Proximity sensor

KLS26-MR0625 Proximity sensor

Material:

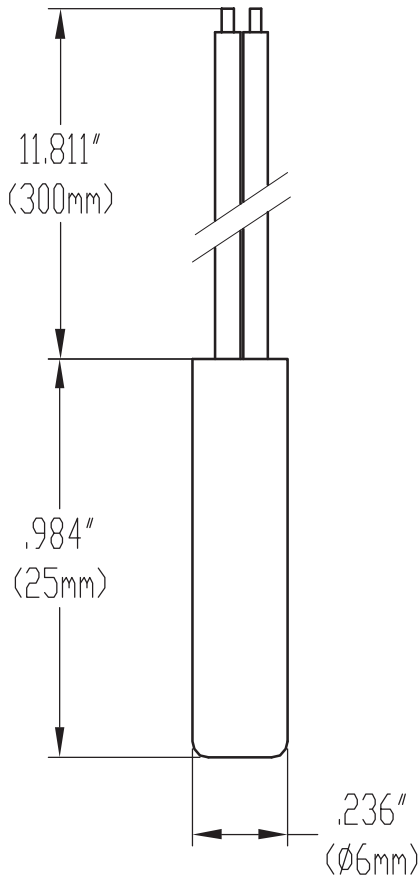
Float body: Copper
Wire: UL 1007 24# black
Filling: epoxy glue
Reed switch: 324

Electrical Specification:

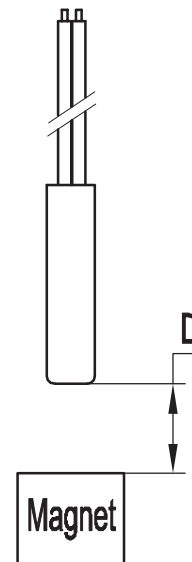
Contact rating: 10W
Max switching current: DC100/AC100
Breakdown voltage: 150 min
Max switching voltage: DC0.5
Max carry current: 1.0A
Contact resistance: 100 max
Insulation resistance: 10^{10} min
Get an electric shock life: 10^7
Applicable temperature: $-10^{\circ}\text{C} \sim +85^{\circ}\text{C}$



I



Movement explanation



Movement explanation:
When $D = 18 \pm 1\text{mm}$, the reed switches will be closed.

ORDER INFORMATION

Product NO.: KLS26-MR0625

