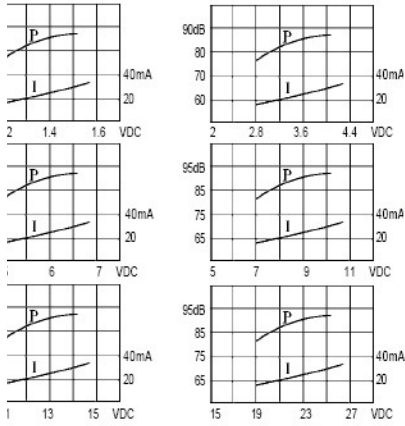


KPMB-2600(L) series Magnetic Buzzer

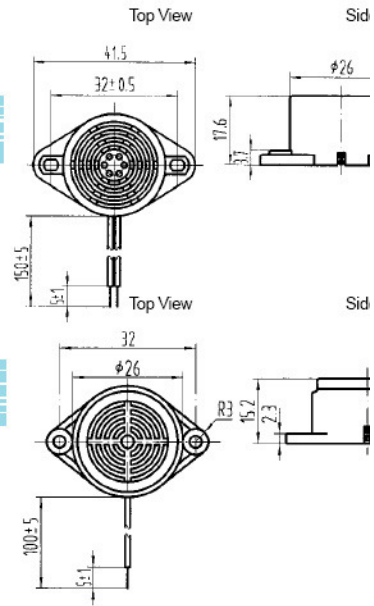
DIMENSIONS



color Black
ABS Housing Material
Lead Terminal



color Black
ABS Housing Material
Lead Terminal



	KPMB-2615(L)	KPMB-2603(L)	KPMB-2606(L)	KPMB-2609(L)	KPMB-2612(L)	KPMB-2624(L)
Voltage	1.5VDC	3VDC	6VDC	9VDC	12VDC	24VDC
Operating Voltage	1-2VDC	2-4VDC	4-8VDC	6-12VDC	9-15VDC	15-27VDC
Current	40mA	40mA/3VDC	40mA/6VDC	25mA/9VDC	40mA/12VDC	40mA/24VDC
Sound Pressure Level	85dB/20cm	80dB/20cm	80dB/20cm	80dB/20cm	85dB/20cm	85dB/20cm
Frequency	400 \hat{A} 100Hz	400 \hat{A} 100Hz	400 \hat{A} 100Hz	400 \hat{A} 100Hz	400 \hat{A} 100Hz	400 \hat{A} 100Hz
Temperature	-20~+60 \hat{a} e	-20~+60 \hat{a} e	-20~+60 \hat{a} e	-20~+60 \hat{a} e	-20~+60 \hat{a} e	-20~+60 \hat{a} e
Weight	12g	12g	12g	12g	12g	12g