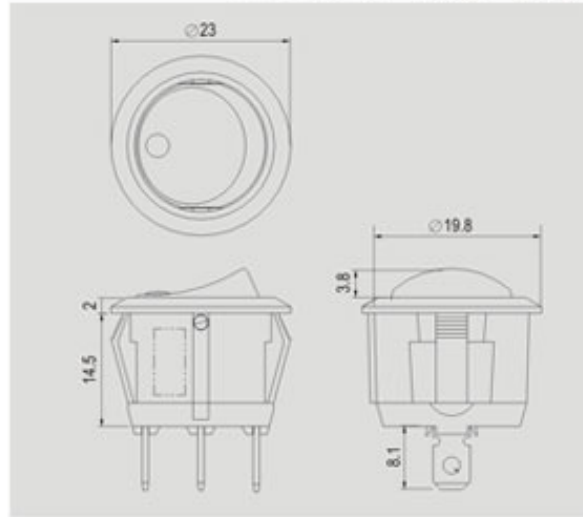


R13-112

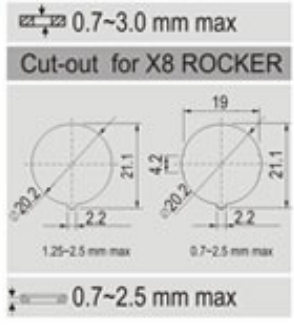


Rating
16A 125V AC 10A 250V AC
Contact resistance
50mΩ Max
Insulation resistance
DC 500V 100MΩ Min
Dielectric strength
AC 1500V 1 minute
Cut-out



FEATURES

- * MATERIAL: Frames are nylon (UL flame: 94V-2). Terminals are silver plated brass.
- * Illuminated actuators are molded in PC, available with red, amber and green colors.
- * Snap-in mounting, easy to install switch into panel.
- * Waterproof cover is optional, except LP & BP type.
- * The dimension of frame is 14.5mm, for shorter one, please refer to page.1-51 item no. R13-208.
- * **R13-112B9,R13-112B9F: LED with PCB inside for AC rating.**



Ordering number instruction

