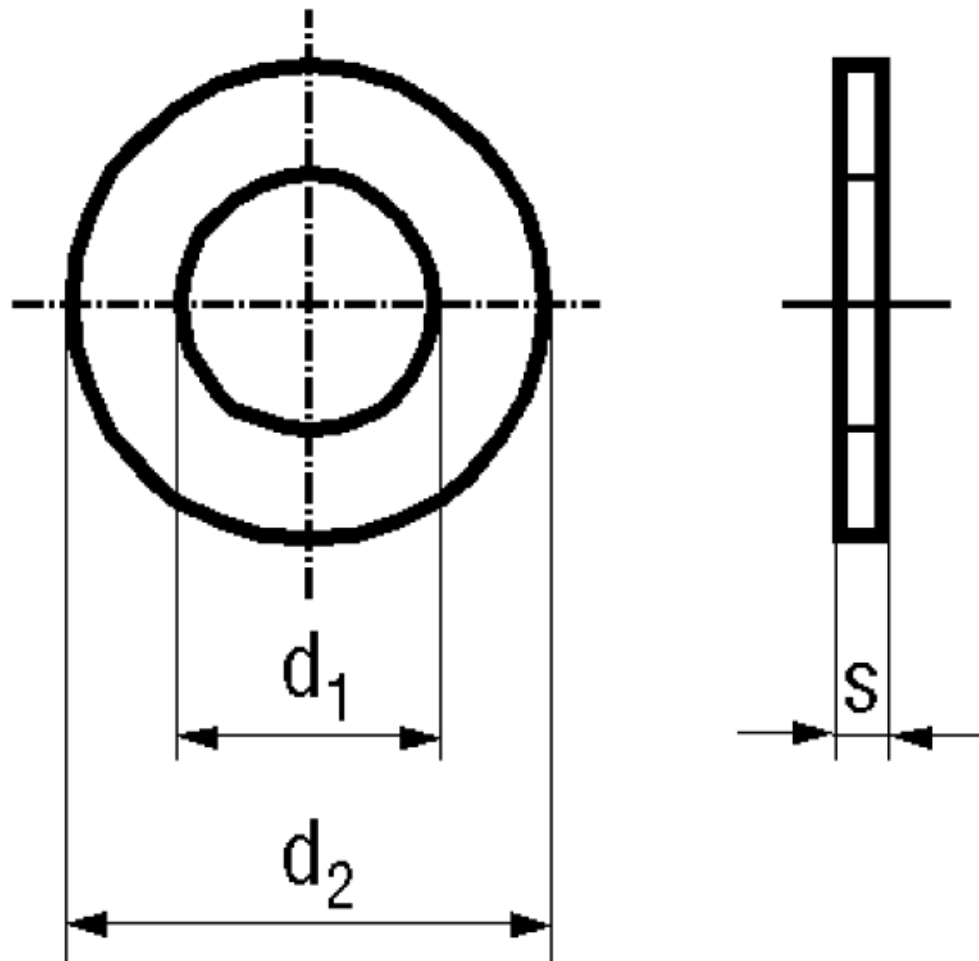


BN 1414 - DIN 433 - ~ISO 7092

Flat washers
without chamfer, for screws with
cylindrical head

DIN 433
~ISO 7092



Material	Stainless steel	Hardness	140 HV
Quality	A2	Hardness grade	140 HV

Article No. - 1755994	
fit for	M2
d_1	2,2
d_2	4,5
s	0,3

DIN 433: Standard withdrawn