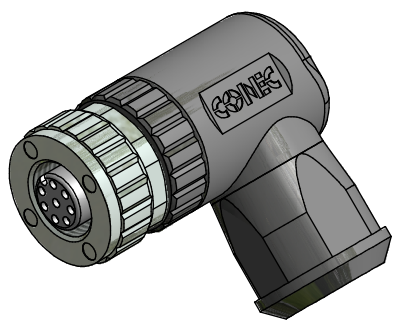
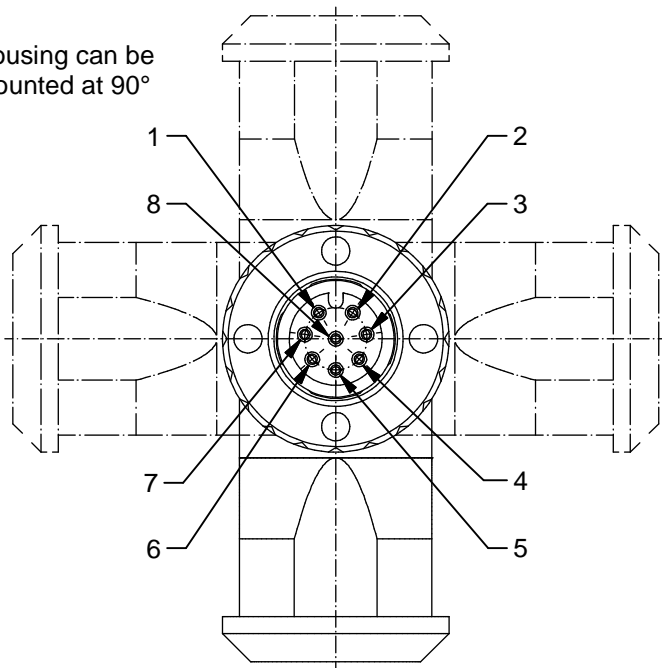


Housing can be mounted at 90°



**Technical specification:**

Rated voltage: IEC 61076-2-101	30 V
Current rating: IEC 61076-2-101	2 A at 40°C
Insulation resistance: IEC 60512-2	>=100 MΩ
Pollution degree: IEC 60664-1	3/2
Degree of protection: IEC 60529	IP 67, in mated condition
Temperature range:	-30°C ... +85°C
Mating cycles: IEC 60512-9a	>=100
Wire cross section:	AWG20 / max. 0,5 mm²

**Materials:**

Contact:	CuZn
Contact plating:	Nickel, gold plated
Contact carrier:	PA6, UL 94
Contact screw:	Steel, zinc plated
Cable sealing:	Elastomere
O-Ring:	FPM, NBR
Coupling nut:	GD-Zn, nickel plated
Housing:	PA6 GF, UL 94

**Installation specification:**

Recommended torque:	0,6 Nm
Conec installation tooling:	Torque wrench: 36-000200 Insert across flats 18: 36-000240

Part no:	Description:	Cable-Ø:
43-00131	SAL - 12 - RKWC8 - S	4 - 8 mm

DO NOT ALTER CAD DRAWING BY HAND Directive 2002/95/EC RoHS compliant	dim. in mm	<b>title:</b> Female connector M12x1, 8pos, field attachable, angled, with screw connection								
	<table border="1" style="font-size: 8px;"> <tr> <td></td> <td>date</td> <td>name</td> </tr> <tr> <td>drawn</td> <td>16.10.13</td> <td>Mankopf</td> </tr> <tr> <td>appd.</td> <td>16.10.13</td> <td>Franz</td> </tr> </table>			date	name	drawn	16.10.13	Mankopf	appd.	16.10.13
		date	name							
	drawn	16.10.13	Mankopf							
appd.	16.10.13	Franz								
general tolerance: 0 ± 0,50mm 0,0 ± 0,25mm 0,00 ± 0,10mm		<b>dwg no:</b>  <div style="text-align: center; font-size: 18px; font-weight: bold;">43K1A2193</div>								
THIS DRAWING MAY NOT BE COPIED OR REPRODUCED IN ANY WAY, AND MAY NOT BE PASSED ON TO A THIRD PARTY WITHOUT WRITTEN PERMISSION. OWNERSHIP AND COPYRIGHT OF CONEC GmbH	<b>part no:</b> see table									