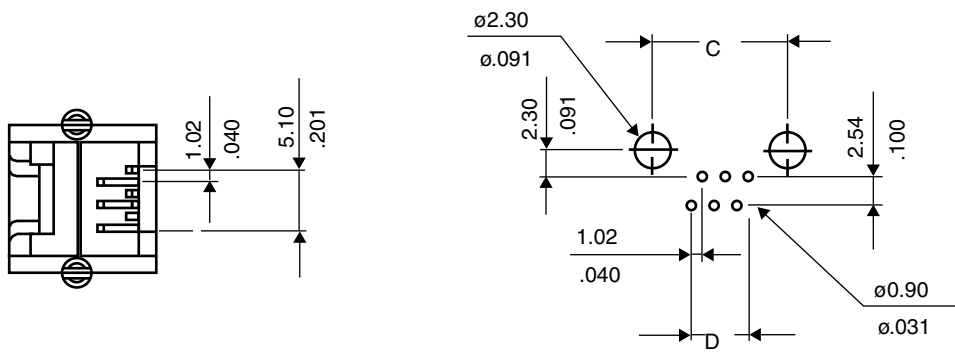
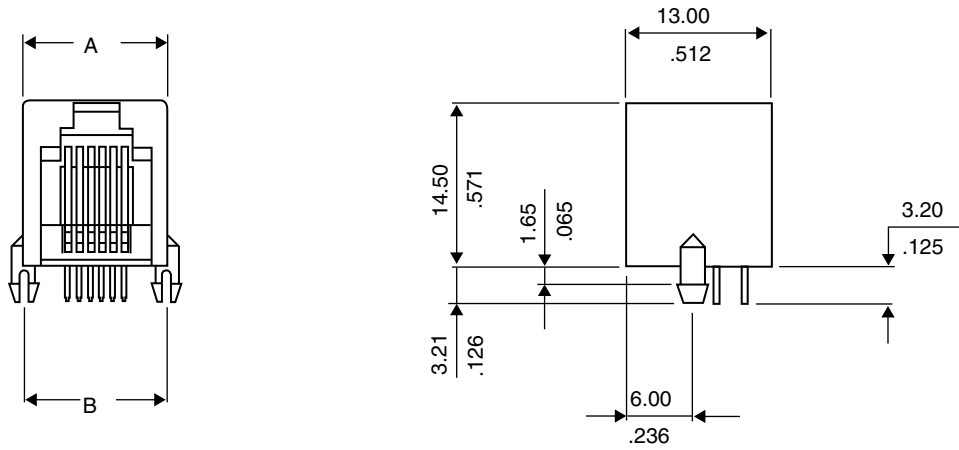


10100X
880X
PART NO. 9612 – 660X (632 PCB TYPE)
440X



PC Board Layout

NO. OF POSITIONS	DIMENSIONS			
	A	B	C	D
4 P	12.20 0.480	12.00 0.472	12.00 0.472	3.06 0.12
6 P	12.20 0.480	12.00 0.472	12.00 0.472	5.10 0.201
8 P	15.00 0.590	15.00 0.590	15.00 0.59	7.14 0.281
10 P	15.00 0.590	15.00 0.590	15.00 0.59	9.18 0.362

UL File NO: E138872

STANDARD COLOR : GREY