

No:	XRL4132028
Date:	22-Feb-13
Revised:	NA 0

For Customer:	B630	Customer P/N or Ref.:	NA
Part No.		Model No.	RDH8025S1
Samples Attached	NA Pcs.	Samples From	Engineering
Safety Approvals	UL/CUL,TUV,CE		

SPECIFICATION

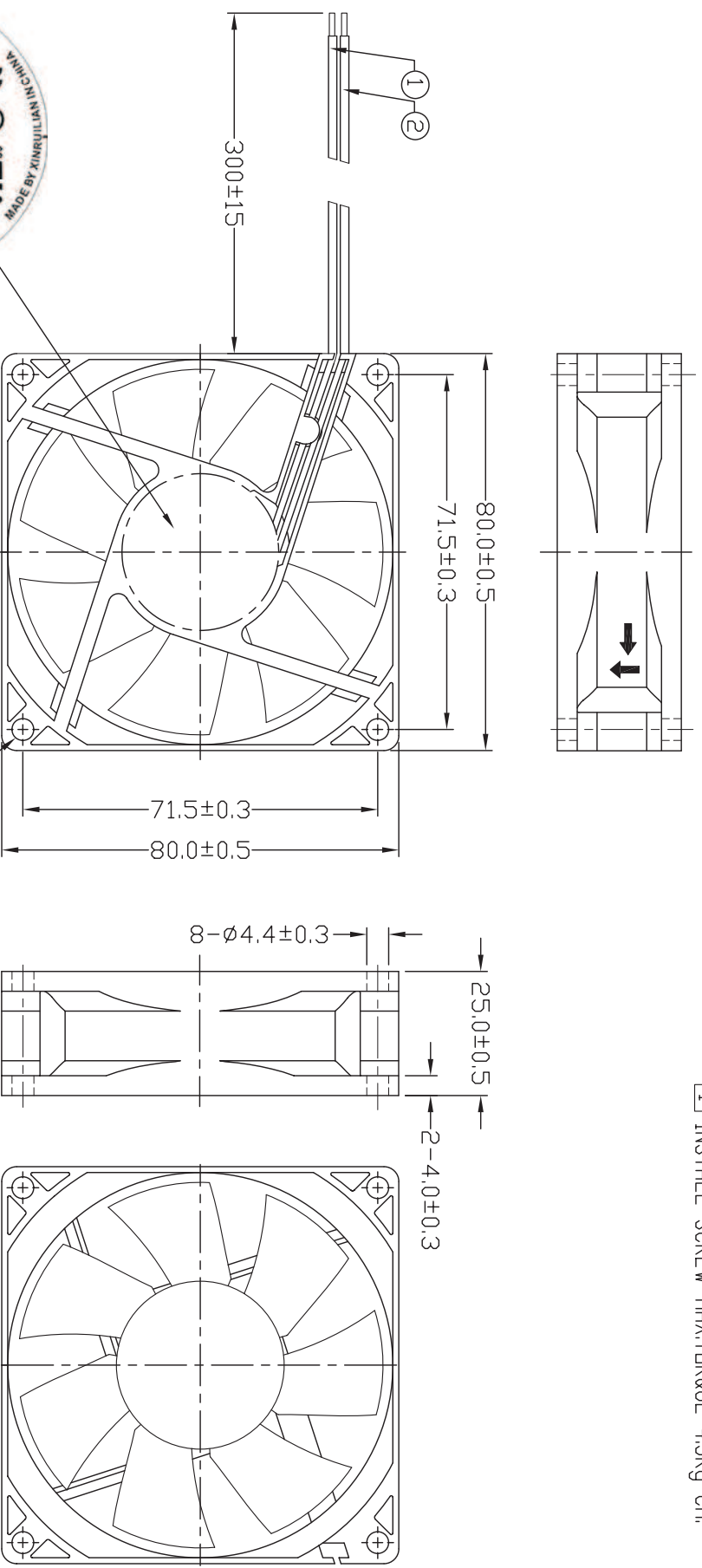
Item	Unit	Specification	Condition
Dimension	mm	80x80x25	L x W x Thickness
Bearing System	---	Sleeve Bearing	-----
Rated Voltage	VDC	12.0	-----
Operating Voltage Range	VDC	6.0-13.8	At 25°C
Start-up Voltage	VDC	6.0	At 25°C
Rated Current	Amp	0.23(Max.0.276)	At rated Voltage
Lock Rotor Current	Amp	0.05	Max. at Rotor Locked
Rated Power	Watt	2.76	At rated Voltage
Rated Speed	RPM	3000±10%	At rated Voltage
Air Flow	CFM (CMM)	41.06(1.16) Min.36.95	In Free Air
Static Air Pressure	mmAq (Inch H2O)	3.45(0.14) Min.2.79	When Air Flow = 0
Noise Level	dBA	33 Max.37	At Rated Speed
Motor Protection	---	Reversed Polarity	-----
Other Features	Tachometer Output	No	Not Applicable
	Autostart	Built-in	See P.3, Fig.2
	Lock Rotor Alarm	No	Not Applicable
	Thermal Control	No	Not Applicable
	PWM Control	No	Not Applicable
	IP Grade	No	-----
	Environmental	RoHS Compliant	-----
Connection Lead Type	Lead Wire	24AWGx300mm	See P.2 for Details
	Connector	Not Required	Not Applicable
	Build-in LED	No	NA
Life Expectancy	Hours	30000	At 25°C
Net Weight	Gram	76	-----
Packing	Pieces / Carton	100	-----

Prepared By:	Checked By:	Approved By:	Page No.
刘平	刘昕	魏新怀	28 FEB 2013
Date:2013-02-25	Date:2013-02-26	Date:2013-02-26	1



NOTE:

① INSTALL SCREW MAX.TORQUE 45kg-cm.



DATE X X X X X X
 YEAR MONTH DATE

②	LEAD WIRE	1	UL1007 24AWG, RED	CONNECT TO VCC	
①	LEAD WIRE	1	UL1007 24AWG, BLACK	CONNECT TO GND	
N/D.	PART NAME	Q'TY	SPECIFICATION	REMARK	

MARK			CHANGES			BY/DATE		APPD/DATE	
XINRUILIAN SCIENCE & TECHNOLOGY (SHENZHEN) CO., LTD 欣瑞连科技(深圳)有限公司				LINEAR (0,30) (50,100) (100,+∞)		TOLERANCES: XX X X X XX X X XX		PROJECTION: UNIT MM PAGE 1/1	
PART NAME	DC FAN	MODEL NO.	RDH8025S1	PART NO.		APPD/DATE	魏新怀13/02/26	CHECK/DATE	刘平13/02/26
APPD/DATE	魏新怀13/02/26	CHECK/DATE		APPD/DATE	刘平13/02/26	REV	0	REV	0