

REV. A	DESCRIPTION NEW RELEASE	DRAWN LL 07/18/06'	CHECKED	APPROVED

NOTES:

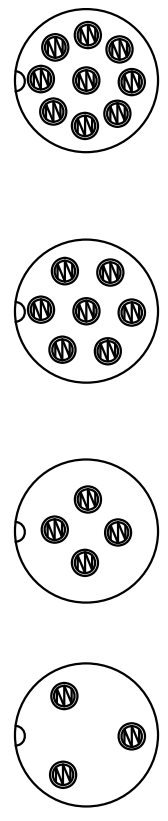
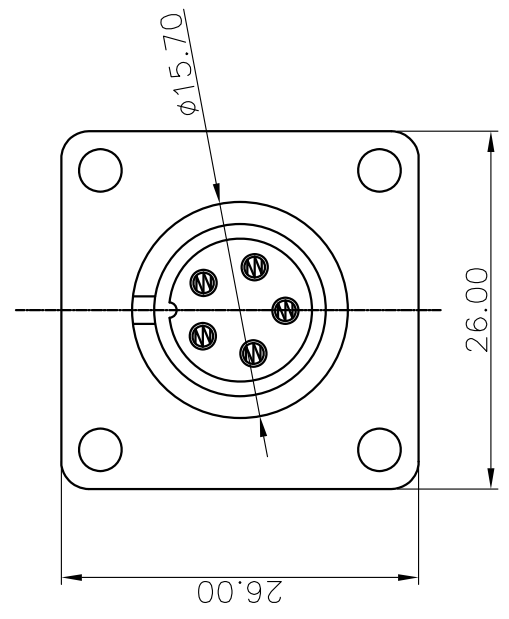
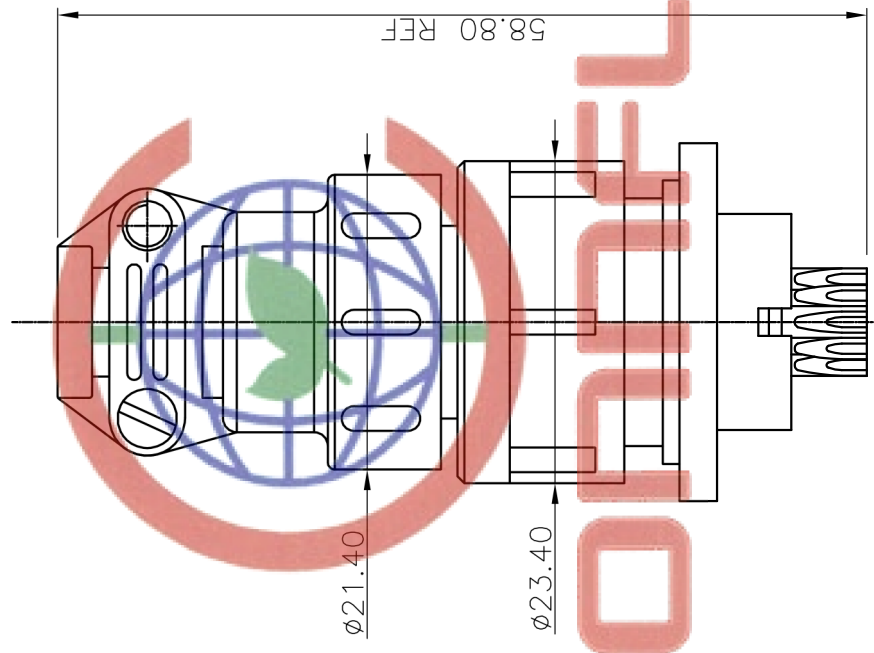
1.SPECIFICATION

- .CURRENT RATING: 5A Max.
- .DIELECTRIC WITH STANDING VOLTAGE: 500V(AC)
- .CONTACT RESISTANCE: 50mΩ Max.
- .INSULATION RESISTANCE: 1000MΩ(DC)Min

2.PRODUCT NUMBER CODE:

DS1110-03 - X X X X

- CONTACT PLATING  
6: TIN
- COLOR OF HOUSING:  
A: GRAY
- No. OF CONTACTS  
3 4 5 7 9



3 PIN 4 PIN 9 PIN

Tel: 86-574-89508787  
Fax: 86-574-63510817

GENERAL TOLERANCE	ANGLE	TOLERANCE	PROJECTION	TITLE
X. ±0.60	X. ±5°	mm	MICRO JACK CONNECTOR	
X. ±0.38	X. ±3°	SHEET SIZE	A4	SERIES
.XX ±0.25	.XX ±2°	DS1110-03 SERIES		
DRAWING TYPE	CUSTOMER			
SCALE	1:1	SHEET 1 OF 1		
DRAWING NO.	C-DS1110-03-XXX			

晨翔电子有限公司  
CONNFLY CONNFLY ELECTRONIC CO. LTD