



Features:

- Cyclic With Unequal ON & OFF Time
- 6 Time Ranges
- Universal Supply Voltage
- LED Status Indicator: Power ON, Relay ON
- Compact Size

Size: 1/16 DIN 48mm x 48mm

Certifications:

Technical Specifications

Input Specifications

Accuracy	Setting: $\pm 5\%$ of F.S. Repeat: $\pm 0.5\%$ or 50 msec (F.S. = Full Scale)
Reset	On interruption of power; Reset time < 100 msec

Output Specifications

Output Contact	DPDT (2 C/O)
Contact Rating	5A @ 230V AC / 24V DC, resistive

Functional Specifications

Modes	Cyclic ON first or OFF first
Time Ranges	0 - 1 sec / min / hr (ON Time) 0 - 10 sec / min / hr (ON Time) 0 - 1 sec / min / hr (OFF Time) 0 - 10 sec / min / hr (OFF Time)

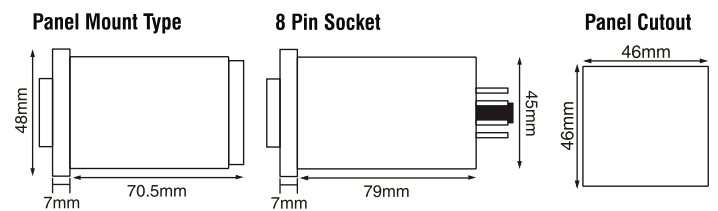
Supply Voltage

Supply Voltage	20 to 240V AC (50 / 60Hz) 12 to 240V DC
Power Consumption	2VA max

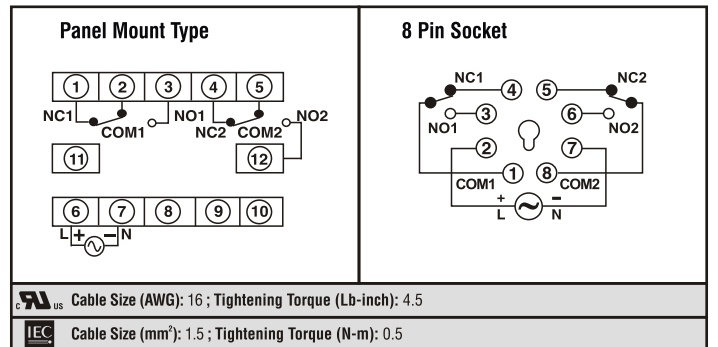
Environmental Specifications

Temperature	Operating: 0 to 50°C (32 to 122°F) Storage: -20 to 75°C (-4 to 167°F)
Humidity (non-condensing)	95% RH
Weight	80 g (0.176 lbs)
Protection Level	IP40 for faceplate

Dimensions



Terminal Connections



Ordering Information

This product is available in certified (UL and CE) as well as in non-certified (without UL/CE marking) types. Please order as per the requirement.

Part No.	Supply Voltage	Terminal Connection		Certification
		8 Pin Socket	Panel Mount Type	
55XC-P8	20 to 240V AC 12 to 240V DC	■		
55XC-P8-CU	20 to 240V AC 12 to 240V DC	■		
55XC-T	20 to 240V AC 12 to 240V DC		■	
55XC-T-CU	20 to 240V AC 12 to 240V DC		■	

Timing Diagram

