



Features:

- 15 Functions
- 8 Time Ranges
- Front Key Pad Setting
- Universal supply voltage
- Lithium Battery Backup
- Slim, Space Saving Design
- DIN Rail Mount

Size: DIN 17.5mm

Certifications: PENDING

Technical Specifications

Input Specifications

Accuracy	Setting: ± 0.1% of set time or ±50msec (whichever is greater) For Y contact operation: +100msec Repeat: ± 0.1 %
Reset	Front Key, On interruption of power; Reset time < 100 msec

Output Specifications

Output Contact	SPDT (1 C/O)
Contact Rating	8A @ 250V AC

Functional Specifications

Modes	On delay (A) Interval (B) Asymmetrical cyclic OFF first (C) Asymmetrical cyclic ON first (D) Cyclic equal OFF first (E) Cyclic equal ON first (F) Pulse output (H) Delay on break (J) Delay on make / break (K) Interval after break (L) Single shot (P) Retriggerable Single shot (Q) Latching relay (R) Delay with Totalise (t) Interval with Totalise (U)
Time Ranges	0 - 99.9 sec / min /hr 0 - 999 sec / min / hr 0 - 9:59 min:sec 0 - 9:59 hr:min
Counting Direction	Down
Memory	Yes (selectable)

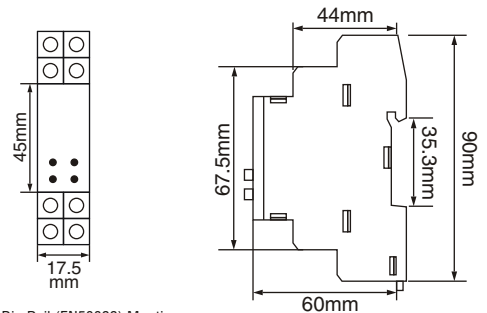
Supply Voltage

Supply Voltage	20-240V AC/DC (AC : 50 / 60 Hz)
Power Consumption	4VA max

Environmental Specifications

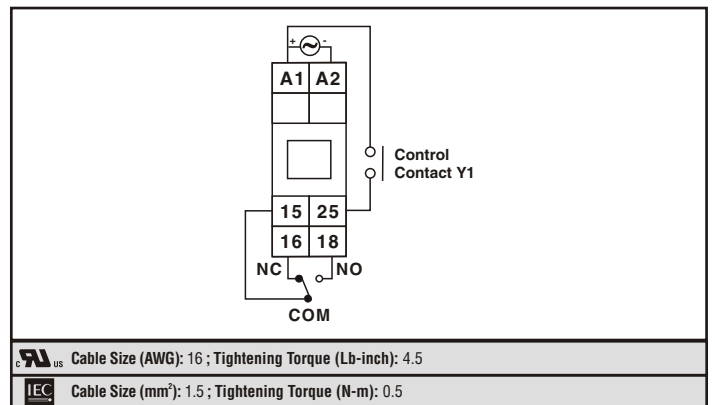
Temperature	Operating: 0 to 50°C (32 to 122°F) Storage: -20 to 75°C (-4 to 167°F)
Humidity (non-condensing)	95% RH
Weight	69 gms (0.163 lbs)
Protection Level	IP50 for faceplate IP40 for housing IP20 for terminals

Dimensions



Symmetrical 35mm Din Rail (EN50022) Mounting

Terminal Connections



Cable Size (AWG): 16 ; Tightening Torque (Lb-inch): 4.5

Cable Size (mm²): 1.5 ; Tightening Torque (N-m): 0.5

Ordering Information

Part No.	Supply Voltage	Certification	
			PENDING
600DT	20-240V AC/DC	■	
600DT-CU	20-240V AC/DC	■	■

Timing Diagram

<p>Function: ON Delay (A)</p> <p>Supply Voltage</p> <p>NO Contact NC Contact</p> <p>T = set time</p>	<p>Function: Interval (B)</p> <p>Supply Voltage Start</p> <p>NO Contact NC Contact</p> <p>T = set time</p>	<p>Function: Asymmetrical Cyclic OFF First (C)</p> <p>Supply Voltage</p> <p>NO Contact NC Contact</p> <p>T1 T2 T1 T2 T1 T2</p> <p>T1 = OFF time ; T2 = ON time</p>
<p>Function: Asymmetrical Cyclic ON First (D)</p> <p>Supply Voltage</p> <p>NO Contact NC Contact</p> <p>T1 T2 T1 T2 T1 T2</p> <p>T1 = ON time ; T2 = OFF time</p>	<p>Function: Cyclic Equal OFF First (E)</p> <p>Supply Voltage</p> <p>NO Contact NC Contact</p> <p>T T T</p> <p>T = set time</p>	<p>Function: Cyclic Equal ON First (F)</p> <p>Supply Voltage</p> <p>NO Contact NC Contact</p> <p>T T T</p> <p>T = set time</p>
<p>Function: Pulse Output (H)</p> <p>Supply Voltage</p> <p>NO Contact NC Contact</p> <p>T1 T2</p> <p>T1 = Off time ; T2 = On time</p>	<p>Function: Delay On Break (J)</p> <p>Supply Voltage (U)</p> <p>Control Contact Y1</p> <p>NO Contact NC Contact</p> <p>T t1 T</p> <p>T = set time ; t1 < T</p>	<p>Function: Delay On Make / Break (K)</p> <p>Supply Voltage (U)</p> <p>Control Contact Y1</p> <p>NO Contact NC Contact</p> <p>T T</p> <p>T = Set time</p>
<p>Function: Interval After Break (L)</p> <p>Supply Voltage (U)</p> <p>Control Contact Y1</p> <p>NO Contact NC Contact</p> <p>T T</p> <p>T = Set time</p>	<p>Function: Single Shot (P)</p> <p>Supply Voltage (U)</p> <p>Control Contact Y1</p> <p>NO Contact NC Contact</p> <p>T T</p> <p>T = Set time</p>	<p>Function: Retriggerable Single Shot (Q)</p> <p>Supply Voltage (U)</p> <p>Control Contact Y1</p> <p>NO Contact NC Contact</p> <p>ta T</p> <p>ta < T ; T = Set time</p>
<p>Function: Latching Relay (R)</p> <p>Supply Voltage (U)</p> <p>Control Contact Y1</p> <p>NO Contact NC Contact</p>	<p>Function: Delay With Totalise (T)</p> <p>Supply Voltage (U)</p> <p>Control Contact Y1</p> <p>NO Contact NC Contact</p> <p>t1 t2</p> <p>t1 + t2 = T ; T = Set time</p>	<p>Function: Interval With Totalise (U)</p> <p>Supply Voltage (U)</p> <p>Control Contact Y1</p> <p>NO Contact NC Contact</p> <p>t1 t2</p> <p>t1 + t2 = T ; T = Set time</p>