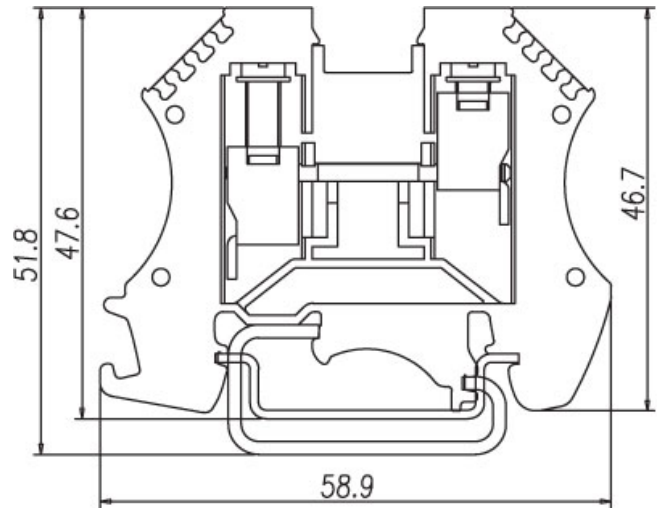
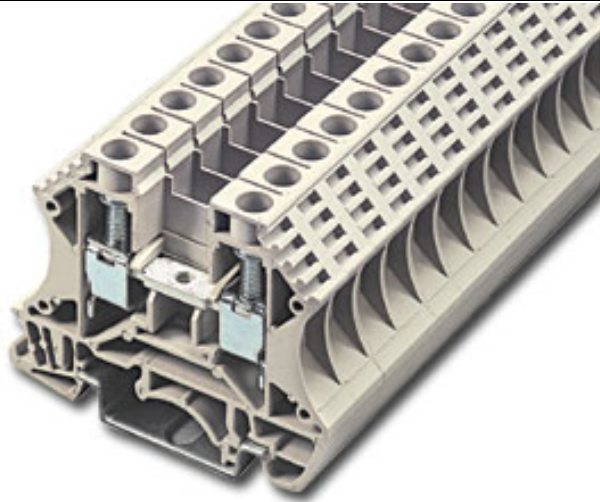




DIN Rail terminal blocks / DK series



DK6



Approval	 	
Technical Data	UL	IEC
Rated voltage	600V	500V
Rated current	45A	41A
Conductor cross-section, solid (AWG / mm ²)	20~8 / 0.5~6	
Conductor cross-section, flexible (AWG / mm ²)	20~8 / 0.5~6	
Rated impulse withstand voltage	8KV	
Torque (N-m)	1.2	
Screw	M4	
Wire strip length	12~14mm	
Insulating material	PA	
TxHxW (mm)	8 x 46.85 x 58.9	
Optional color	Cat. No.	
●	DK6-RD	
●	DK6-BL	
●	DK6-BK	
●	DK6-OR	



	Accessories	Cat. No.
End cover		DK2.5C
Partition		DKSPS-002
Small partition		DKSPS-001
Insertion bridge		
Insertion bridge	2 way	CSC-602P
	:	:
	:	:
	10 way	CSC-610P
Screw-on bridge	2 way	DS6-02P
	:	:
	:	:
	10 way	DS6-10P
Marking label		TM28
Mounting Rail		TS-35 / TS-32
Tool		0.8 x 4mm