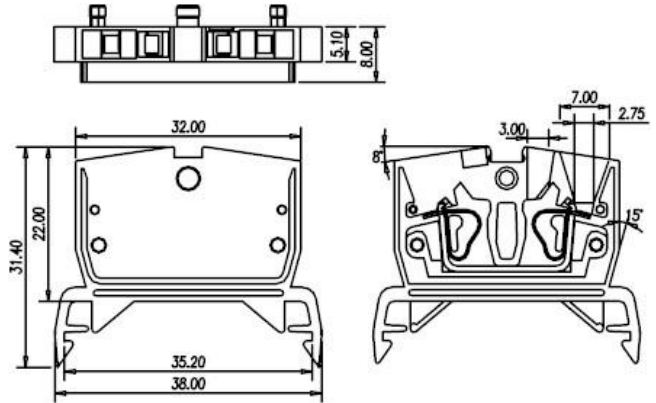


Spring Type DIN Rail Terminal Blocks / AK..P series



AK2.5P



Approval		
Technical Data	UL	IEC
Rated voltage	600V	800V
Rated current	25A	24A
Conductor cross-section, solid (AWG / mm ²)	28~12 / 0.5~2.5	
Conductor cross-section, flexible (AWG / mm ²)	14~12 / 0.5~2.5	
Rated impulse withstand voltage	8KV	
Torque (N-m)		
Screw		
Wire strip length	8~10mm	
Insulating material	PA	
TxHxW (mm)	5.1 x 31.4 x 38	
Optional color	Cat. No.	
	AK2.5P-RD	
	AK2.5P-BL	
	AK2.5P-BK	
	AK2.5P-OR	
	AK2.5P-YG	



	Accessories	Cat. No.	
End cover		AK2.5PC	
Insertion bridge	2 way	C000007000	
Marking label		TM20	
Mounting Rail		TS-35	
Tool		0.4 x 2.5mm	

Assembled	Plastic End Cover	Piece Part W/O End Cover	End Cover With Metal Part
AK2.5P-XXP	AK2.5PC	AK2.5P	-

TEL: +886-2-2908-0614

FAX: +886-2-2908-8549

E-mail: info@dinkle.com.tw