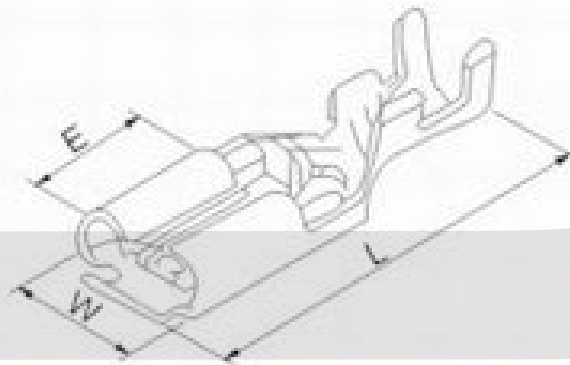


Terminals Series

KLS8-01118 Locked Terminal Series

Terminal Material: Brass

VIII



Item No.	Treatment	Material	T mm	Dimension (mm)			Wire range AWG
				W	L	D	
FT-110	Tin-plate	Brass	0.25	3.8	6.3	15.6	18~22
FT-187A			0.5	5.6	5.9	15.5	20~24
FT-187B			0.5	5.6	5.9	15.5	16~20
FT-205			0.3	6.3	0.5	15.5	16~20
FT-250			0.4	7.5	7.5	19.0	16~20

ORDER INFORMATION

KLS8-01118 - FT-110

