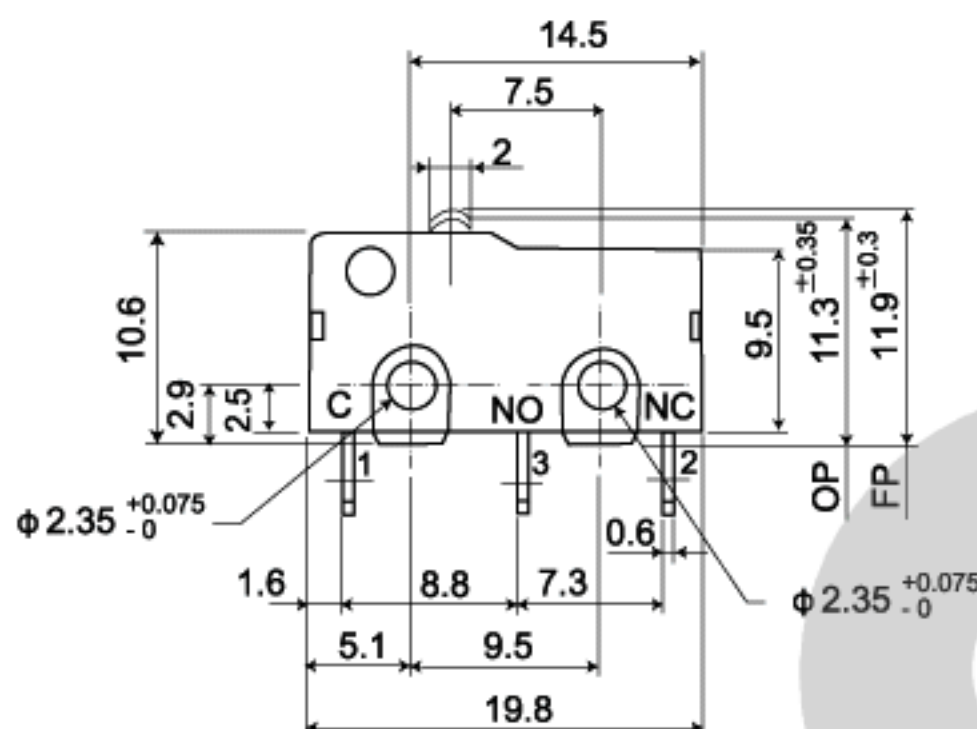




## SPECIFICATION:

Rating: SM3 : 3A 125 / 250V AC SM5 : 5A 125 / 250V AC SM10 : 10.1A 125 / 250V AC	Electrical Life: SM3 : 10,000 Cycles SM5 : 10,000 Cycles SM10 : 6,000 Cycles
Insulation Resistance : >100MΩ at 500V DC	Mechanical Life : 1,000,000 Cycles
Withstand Voltage : 1,500V AC for 1 minute	Ambient Temperature : -25°C ~ +80°C
Contact Resistance : ≤ 50mΩ	Ambient Humidity : < 85%RH
Soldering Temperature: 225°C Max. for 3 Sec.	Operating Force: On request

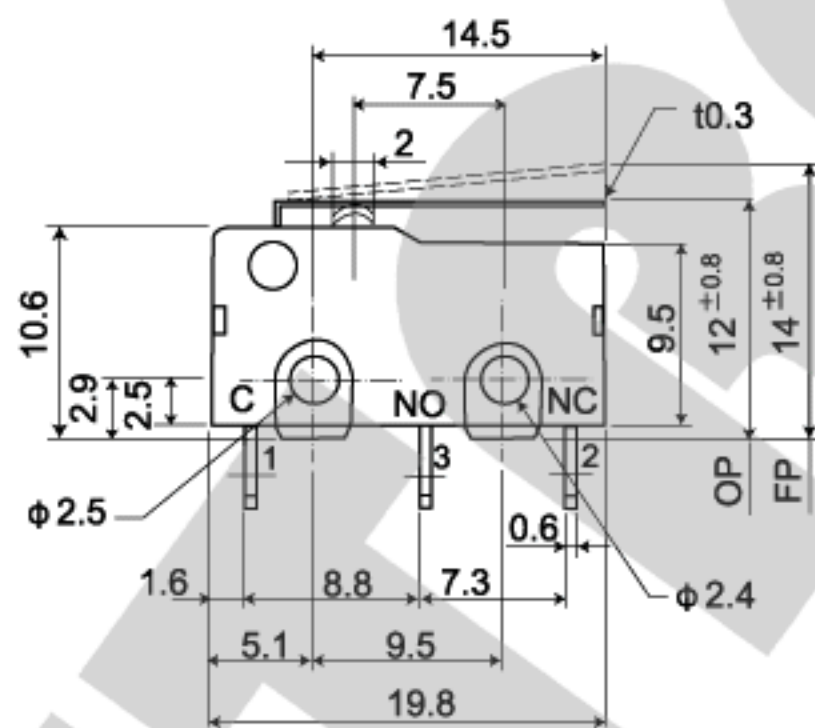
SM3-00N-115G  
SM5-00N-115G



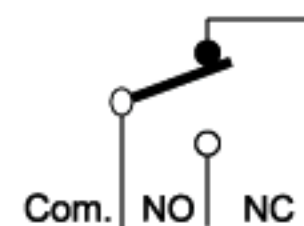
SCHEMATIC



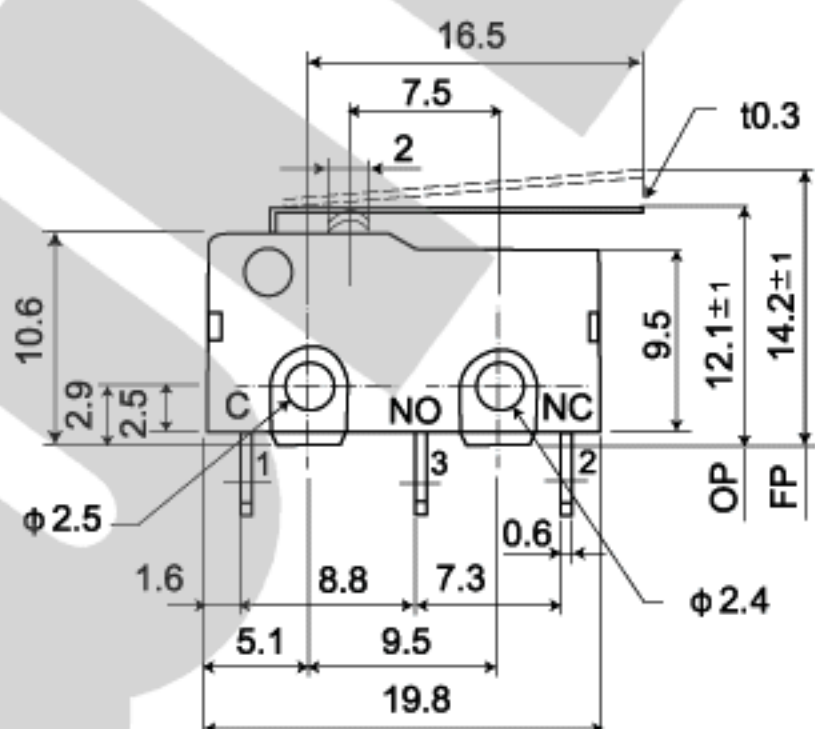
SM3-01N-30G  
SM5-01N-30G



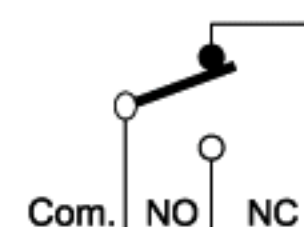
SCHEMATIC



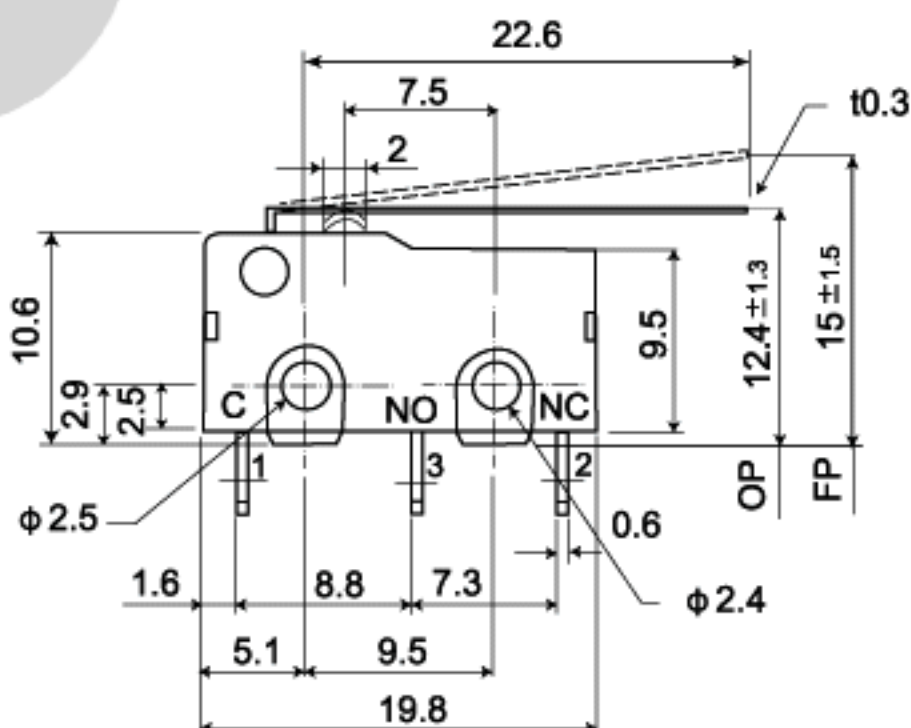
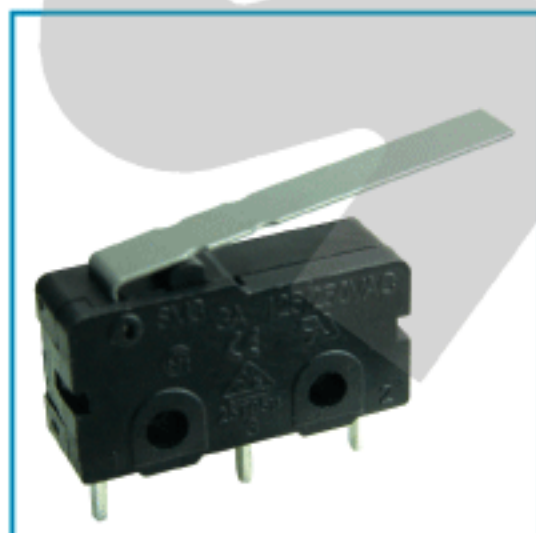
SM3-02N-38G  
SM5-02N-38G



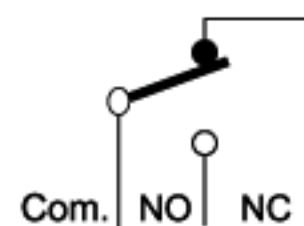
SCHEMATIC



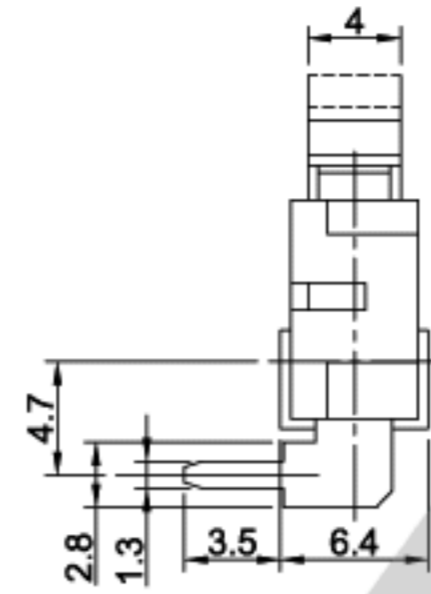
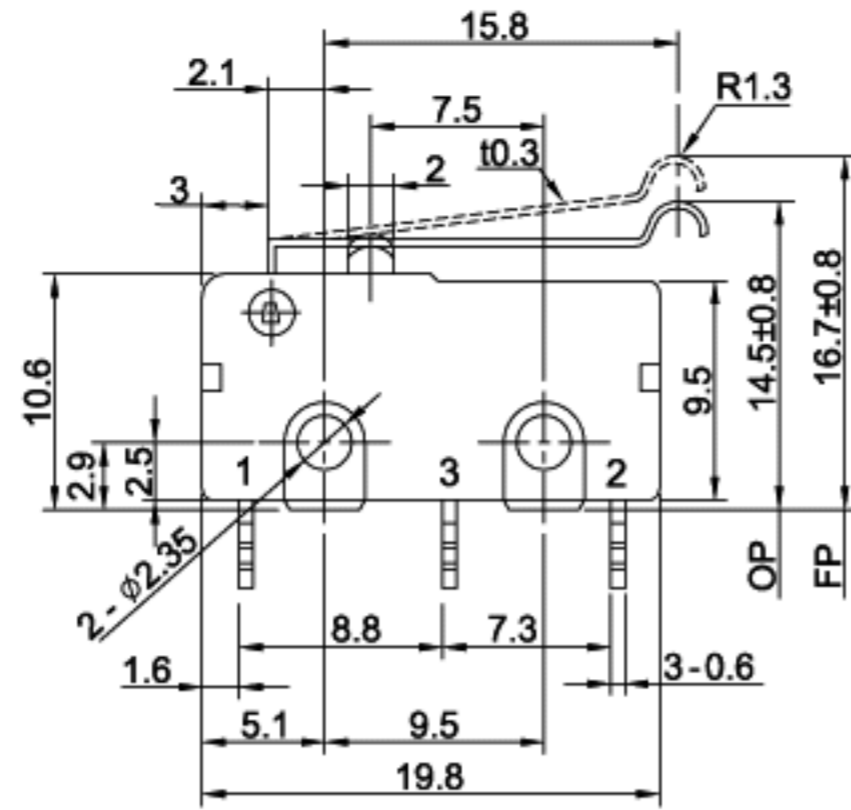
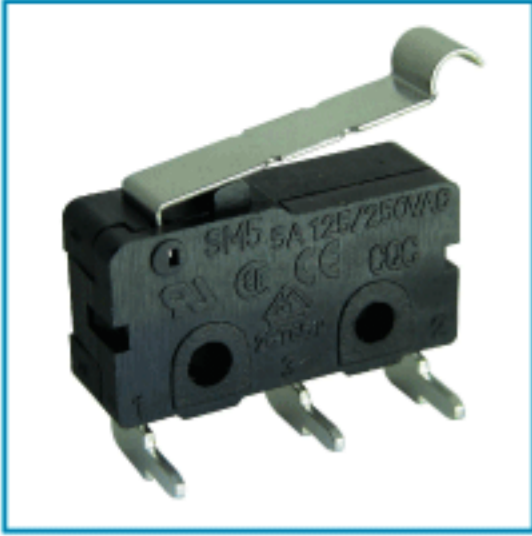
SM3-03P-28G  
SM5-03P-28G



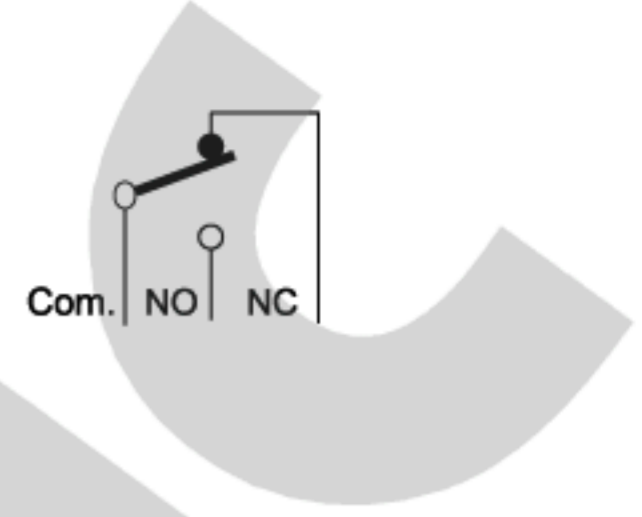
SCHEMATIC



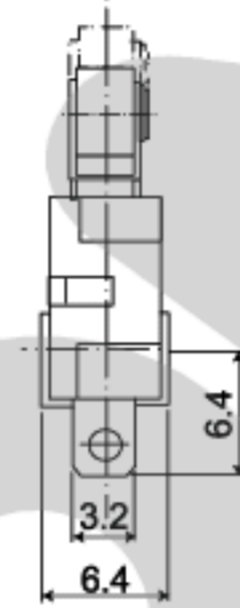
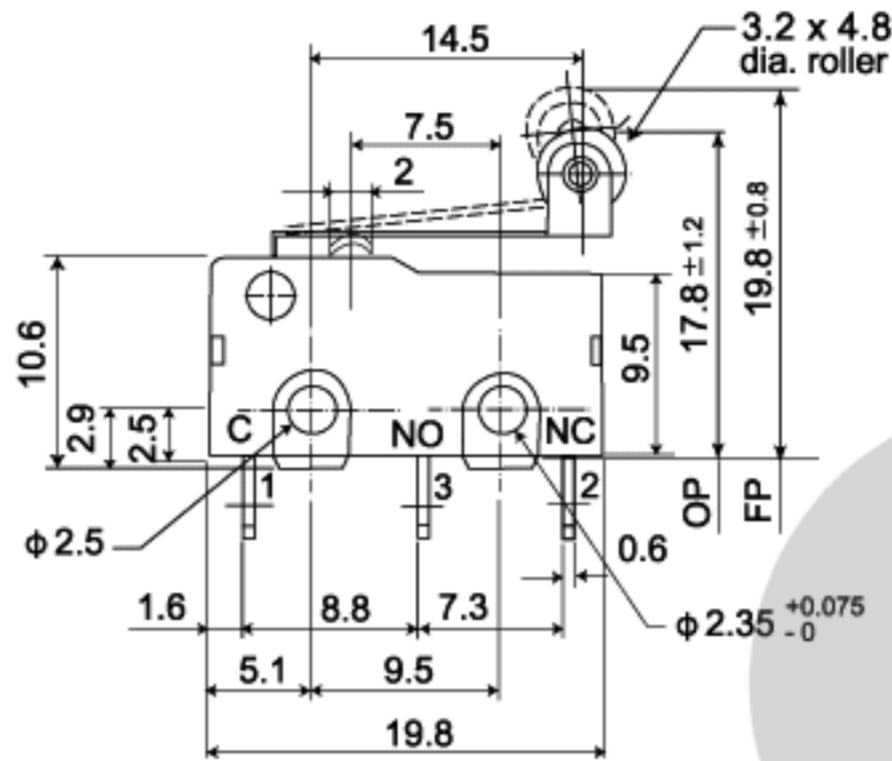
## SM3-04C-40G SM5-04C-40G



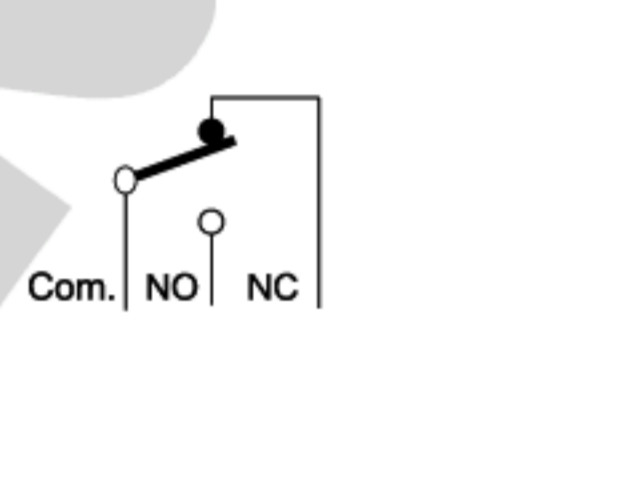
### SCHEMATIC



## SM3-05N-45G SM5-05N-45G

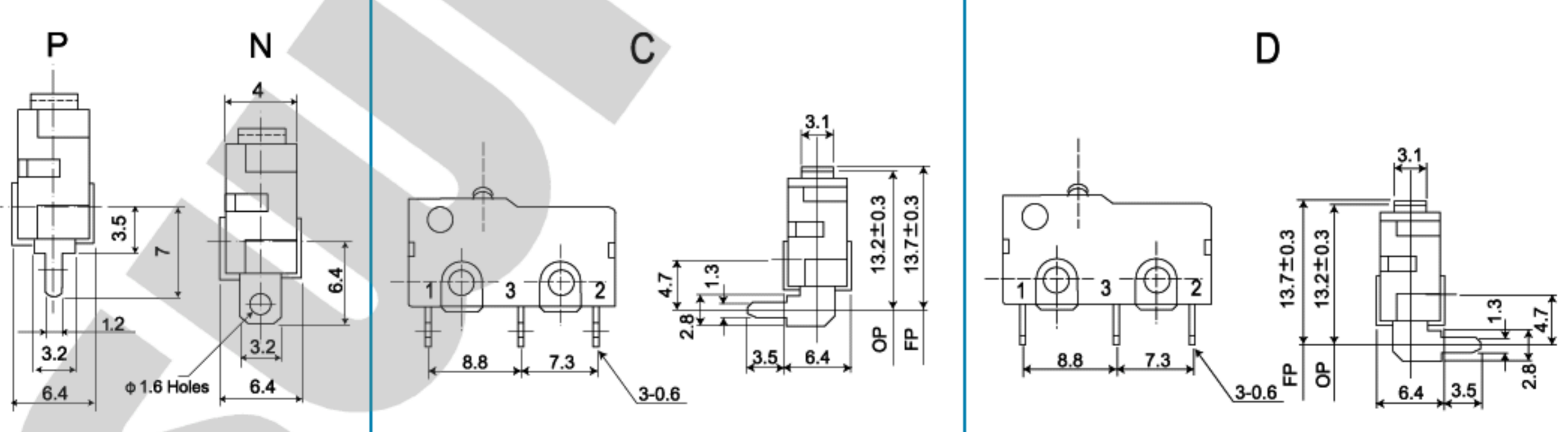


### SCHEMATIC



MODEL NO.	OPERATING FORCE(gf)									
	(std.)					(std.)				
SM3-00N / SM5-00N	60	80	95	(115)	130	150	175	190	250	
SM3-01N / SM5-01N	17	20	25	(30)	35	40	45	50	60	
SM3-02N / SM5-02N	15	17	20	25	30	35	(38)	45	55	
SM3-03N / SM5-03N	10	13	15	18	20	25	(28)	35	45	
SM3-04N / SM5-04N	13	18	23	28	30	35	(40)	45	60	
SM3-05N / SM5-05N	14	20	25	30	34	40	(45)	50	68	

### TERMINAL TYPE:



### HOW TO ORDER

