

Multi-Function Switches

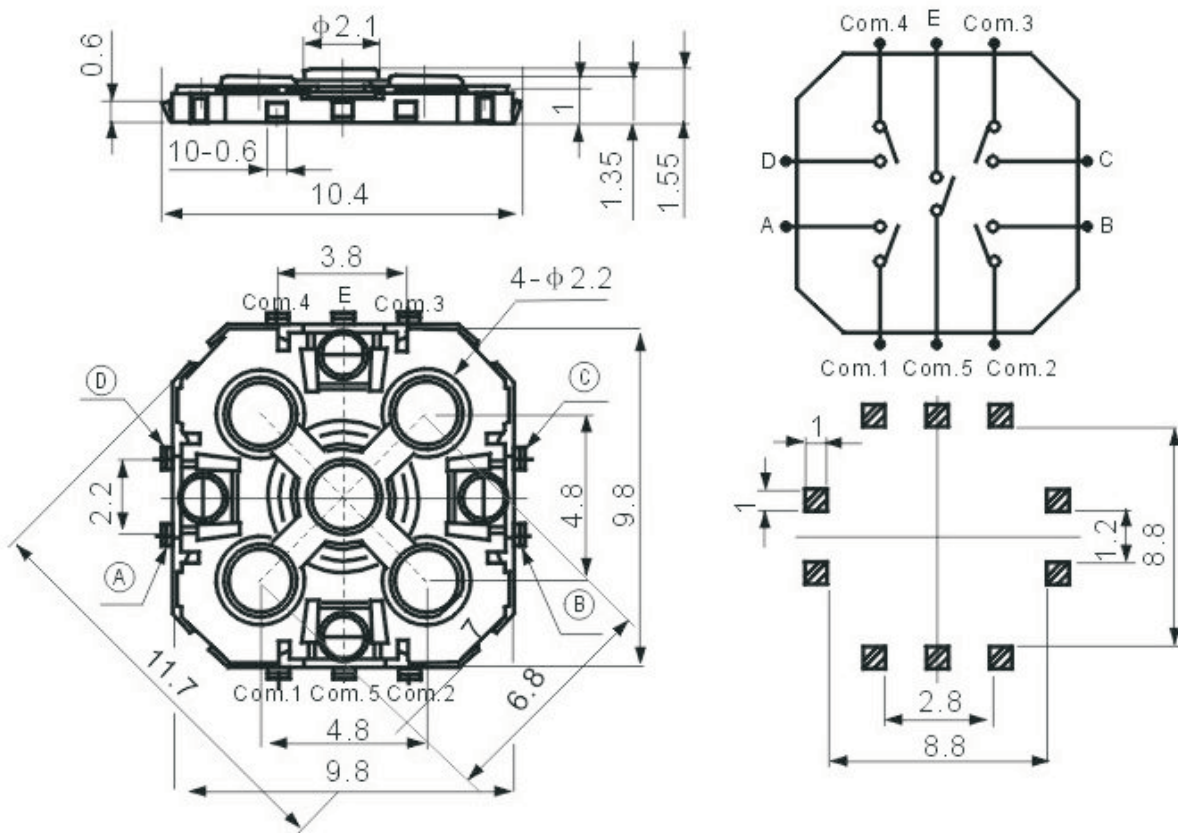
KLS7-MT-08 Size 10mm SMD Flat knob/4 directions+center push

SPECIFICATIONS

CONTACT RATING: 20mA 12VDC
 LIFE EXPECTANCY: 50,000 Actuations in
 Any Direction (X, Y, or Z)
 CONTACT RESISTANCE: 500mΩ
 INSULATION RESISTANCE: 100MΩ
 DIELECTRIC STRENGTH: 100VAC for 1 Minute
 OPERATING TEMPERATURE: -25° to 70°

Material:

A: colloids, Black
 B: cover, silver-white
 C: pins, silver
 D: reed contacts, silver, silver plated



ORDER INFORMATION

Product NO.:KLS7-MT-08

Part Number SMD Multi Function Switch