



January 2010

## FEATURES

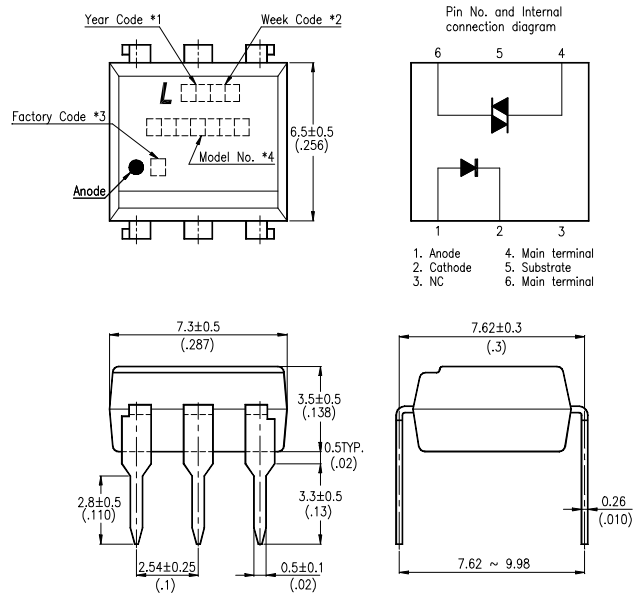
- \* Isolation voltage between input and output  $V_{iso} : 5,000V_{rms}$
- \* 6pin DIP photocoupler, triac driver output
- \* High repetitive peak off-state voltage  $V_{DRM} : \text{Min. } 600V$
- \* High critical rate of rise of off-state voltage  
(  $dv/dt : \text{MIN. } 1000V / \mu s$  )
- \* Dual-in-line package :  
MOC3052
- \* Wide lead spacing package :  
MOC3052M
- \* Surface mounting package :  
MOC3052S
- \* Tape and reel packaging :  
MOC3052S-TA1
- \* Safety approval  
UL / CSA / FIMKO / VDE\* approved  
\*Required "V" ordering option

## APPLICATIONS

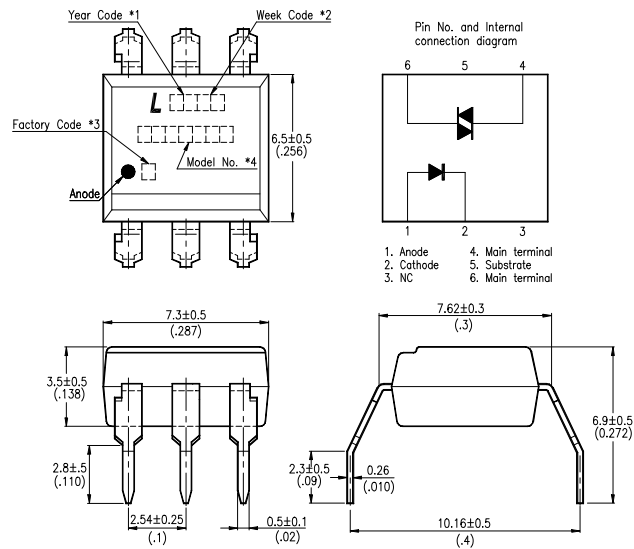
- \* Incandescent Lamp Dimmers
- \* Interfacing Microprocessors to 115 and 240 Vac Peripherals
- \* Lamp Ballasts
- \* Motor Controls
- \* Solid State Relays
- \* Static AC Power Switch
- \* Solenoid / Valve Controls
- \* Temperature Controls

## OUTLINE DIMENSIONS

### Dual-in-line package :



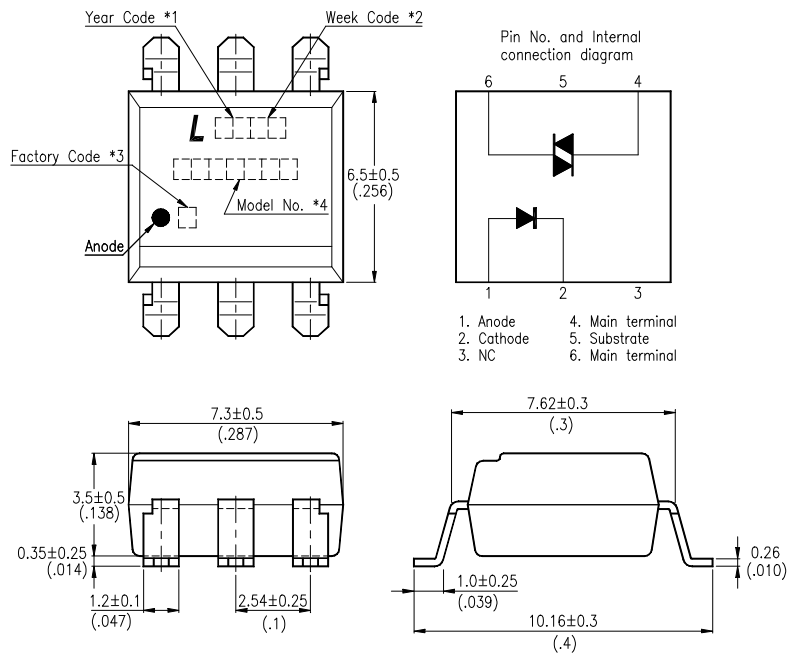
### Wide lead spacing package:



- \*1. Year date code.
- \*2. 2-digit work week.
- \*3. Factory identification mark shall be marked.  
(Z : Taiwan, Y : Thailand, X : China-TJ, W : China-CZ)
- \*4. Model No.: MOC3052

## OUTLINE DIMENSIONS

Surface mounting package :

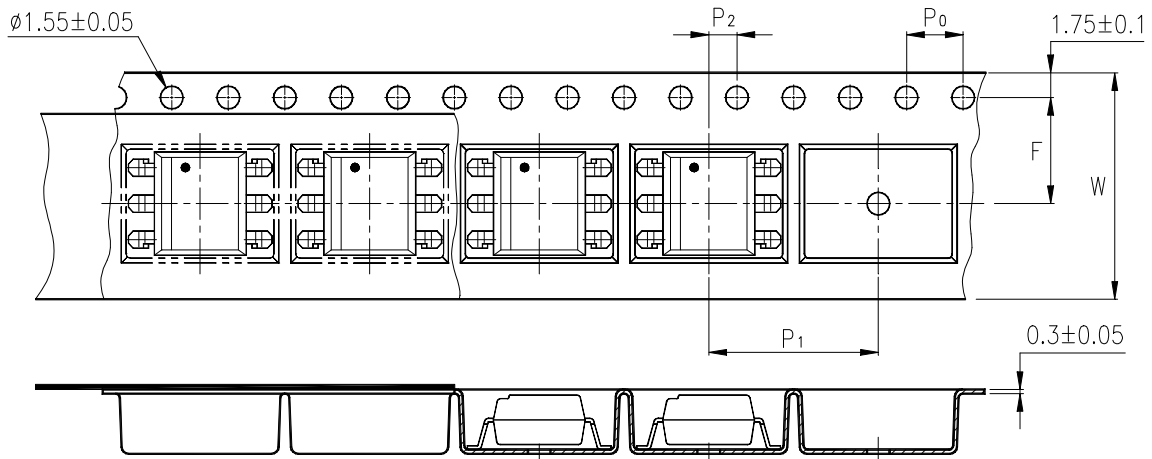


- \*1. Year date code.
- \*2. 2-digit work week.
- \*3. Factory identification mark shall be marked.  
(Z : Taiwan, Y : Thailand, X : China-TJ, W : China-CZ)
- \*4. Model No.: MOC3052

## TAPING DIMENSIONS

Tape and reel package :

**MOC3052S-TA1**



Description	Symbol	Dimensions in mm ( inches )
Tape wide	W	$16 \pm 0.3$ ( .63 )
Pitch of sprocket holes	$P_0$	$4 \pm 0.1$ ( .15 )
Distance of compartment	F	$7.5 \pm 0.1$ ( .295 )
Distance of compartment to compartment	$P_2$	$2 \pm 0.1$ ( .079 )
Distance of compartment to compartment	$P_1$	$12 \pm 0.1$ ( .472 )

## ABSOLUTE MAXIMUM RATING

( Ta = 25°C )

PARAMETER		SYMBOL	RATING	UNIT
INPUT	Forward Current	I <sub>F</sub>	50	mA
	Reverse Voltage	V <sub>R</sub>	6	V
	Power Dissipation	P <sub>D</sub>	100	mW
OUTPUT	Off-State Output Terminal Voltage	V <sub>DRM</sub>	600	V
	Peak Repetitive Surge Current ( PW=100μs, 120pps )	I <sub>TSM</sub>	1	A
	Collector Power Dissipation	P <sub>C</sub>	300	mW
Total Power Dissipation		P <sub>tot</sub>	330	mW
*1	Isolation Voltage	V <sub>iso</sub>	5,000	V <sub>rms</sub>
Ambient Operating Temperature Range		T <sub>A</sub>	-40 ~ +100	°C
Storage Temperature Range		T <sub>stg</sub>	-55 ~ +150	°C
*2	Soldering Temperature	T <sub>L</sub>	260	°C

\*1. AC For 1 Minute, R.H. = 40 ~ 60%

Isolation voltage shall be measured using the following method.

- (1) Short between anode and cathode on the primary side and between collector, emitter on the secondary side.
- (2) The isolation voltage tester with zero-cross circuit shall be used.
- (3) The waveform of applied voltage shall be a sine wave.

\*2. For 10 Seconds

## ELECTRICAL - OPTICAL CHARACTERISTICS

( Ta = 25°C )

PARAMETER		SYMBOL	MIN.	TYP.	MAX.	UNIT	CONDITIONS
INPUT	Forward Voltage	$V_F$	—	1.2	1.4	V	$I_F=20mA$
	Reverse Current	$I_R$	—	0.05	10	$\mu A$	$V_R=6V$
OUTPUT	*1 Peak Blocking Current, Either Direction	$I_{DRM}$	—	—	100	nA	$V_{DRM} = 600V$
	Peak On-State Voltage, Either Direction	$V_{TM}$	—	—	3.0	V	$I_{TM}=100 mA$ Peak
	*2 Critical rate of Rise of Off-State Voltage	dv/dt	1000	—	—	V/ $\mu s$	
COUPLED	*3 Led Trigger Current, Current Required to Latch Output, Either Direction	$I_{FT}$	—	—	10	mA	Main Terminal Voltage = 3V
	Holding Current, Either Direction	$I_H$	—	400	—	$\mu A$	

\*1 Test voltage must be applied within dv/dt rating.

\*2 This is static dv/dt. Commutating dv/dt is a function of the load-driving thyristor(s) only.

\*3 All devices are guaranteed to trigger at an  $I_F$  value less than or equal to max  $I_{FT}$ . Therefore, recommended operating  $I_F$  lies between max 10mA for MOC3052 and absolute max  $I_F$  (50mA)

### CHARACTERISTICS CURVES

Fig.1 Forward Current vs. Ambient Temperature

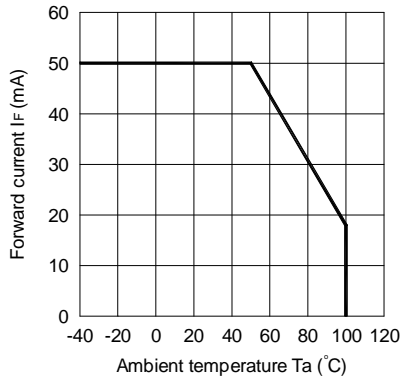


Fig.2 On-state Current vs. Ambient Temperature

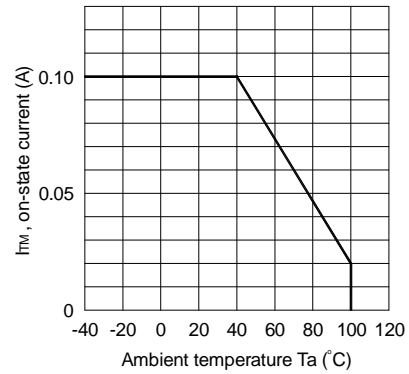


Fig.3 Minimum Trigger Current vs. Ambient Temperature

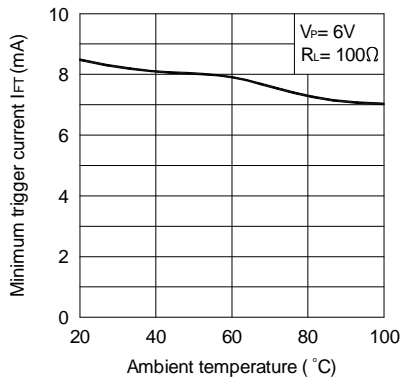


Fig.4 Forward Current vs. Forward Voltage

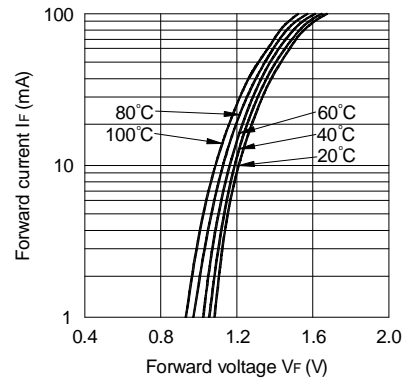


Fig.5 On-state Voltage vs. Ambient Temperature

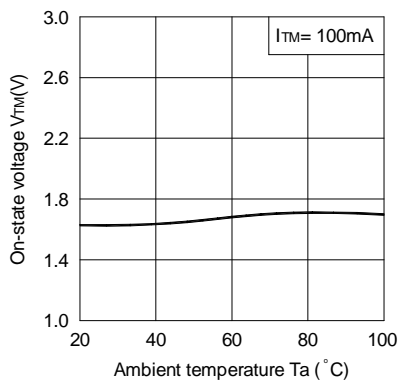
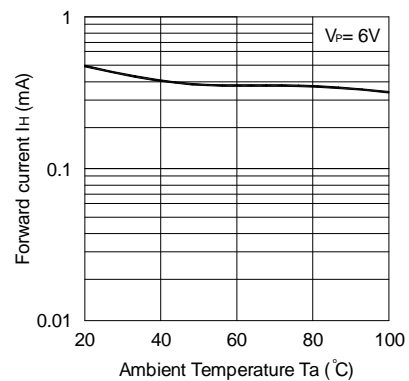


Fig.6 Holding Current vs. Ambient Temperature



## CHARACTERISTICS CURVES

Fig.7 Repetitive Peak Off-state Current vs. Temperature

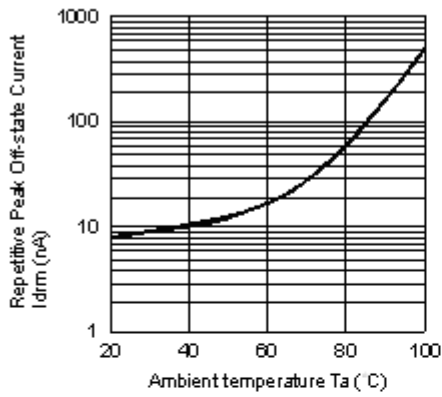
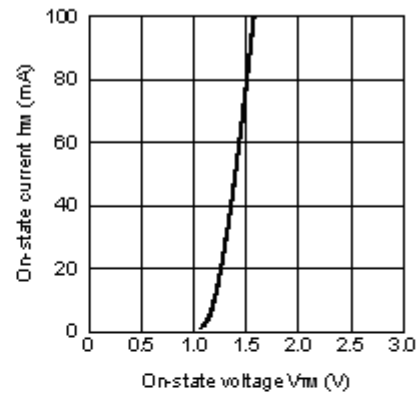
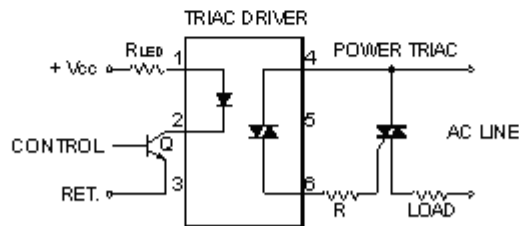


Fig.8 On-state Current vs. On-state Voltage



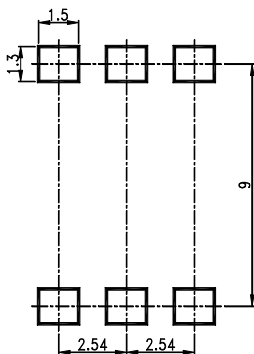
Basic Driver Circuit



$$R_{LED} = \frac{(V_{CC} - V_{LED} - V_{BEQ})}{I_{FT}}$$

$$R = \frac{V_p \text{ AC line}}{I_{TRM}}$$

## RECOMMENDED FOOT PRINT PATTERNS (MOUNT PAD)



Unit : mm