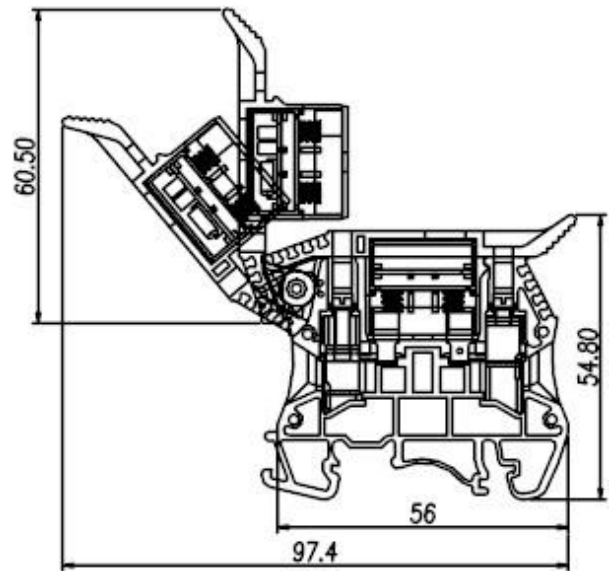



DIN Rail terminal blocks / DK..-TF series



DK4-TFL(5x20)



Approval		
Technical Data	UL	IEC
Rated voltage	300V	800V
Rated current	16A	6.3A
Conductor cross-section, solid (AWG / mm ²)	24~12 / 0.5~4	
Conductor cross-section, flexible (AWG / mm ²)	24~12 / 0.5~4	
Rated impulse withstand voltage	6KV	
Torque (N-m)	0.8	
Screw	M3	
Wire strip length	10~12mm	
Insulating material	PA	
TxHxW (mm)	8 x 54.8 x 56	



	Accessories	Cat. No.
End cover		DK4C-TF(5X20)
Partition		
Small partition		
Insertion bridge		
Insertion bridge	2 way	CSC-602PN
	:	:
	:	:
	10 way	CSC-610PN
Screw-on bridge		
Marking label		TM28
Mounting Rail		TS-35 / TS-32
Tool		0.5 x 3mm
	Nom Voltage	Cat No.
	5V	DK4-TFL5(5x20)
	12V	DK4-TFL12(5x20)
	24V	DK4-TFL24(5x20)
	48V	DK4-TFL48(5x20)
	110V	DK4-TFL110(5x20)
	220V	DK4-TFL220(5x20)
	300V	DK4-TFL300(5x20)

TEL: +886-2-2908-0614

FAX: +886-2-2908-8549

E-mail: info@dinkle.com.tw