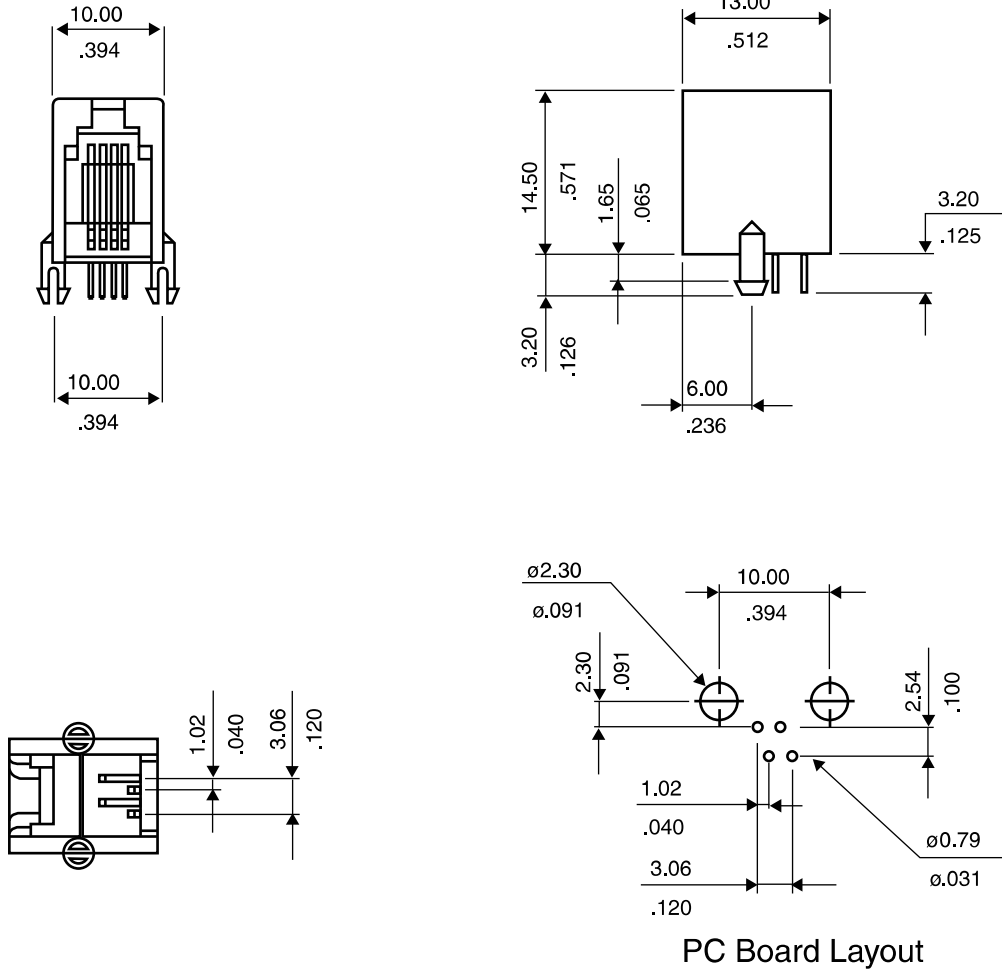


PART NO: 9611 – 440X (616 PCB TYPE)



PC Board Layout

MATERIAL: HOUSING-PBT POLYESTER UL94V-0
 CONTACTS-.0177(.45MM)DIAMETER
 PHOS-BRONZE PLATED WITH
 HARD GOLD.

CAVITY CONFIRMS TO FCC RULES AND REGULATIONS
 PART68,SUBPART F.

UL File NO: E138872

STANDARD COLOR : GREY