



YETDA INDUSTRY LTD.

5mm Full Color Led Lamps 500RGB4E

5mm with Red and Pure Green and Blue Dice ◦

Encapsulated with Water clear lens Package ◦

Blue Dice with Patent ◦

Absolute Maximum Ratings :

Parameter	Maximum Rating	Unit
Peak Forward Current	50	mA
Continuous Forward Current	20	mA
Operating Temperature Range	-40°C to +85°C	
Storage Temperature Range	-50°C to +100°C	
Lead Soldering Temperature	260°C for 3 seconds 1.6mm(0.063 inch) from body	

Electro-Optical Characteristics (Ta = 25°C)

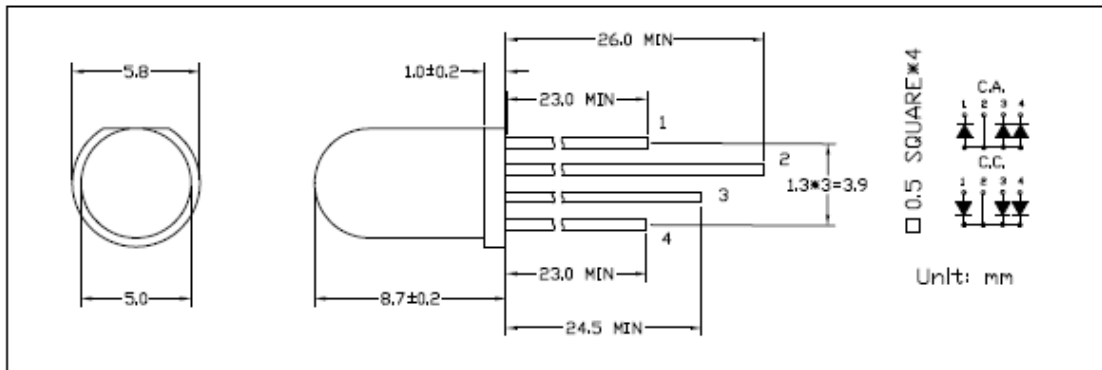
Parameter Radiant	Test Condition	Symbol	Min.	Typ.	Max.	Unit	
Forward Voltage	If = 20mA	R	1.80		2.4	V	
		G	2.8		3.8		
		B	2.8		3.8		
Reverse Current	Vr = 5V	Ir			10	uA	
Luminous Flux	If = 20mA	R		2200		mcd	
		G		6000			
		B		3000			
Wavelength	If = 20mA	λ_p				nm	
		λ_d	R	620		630	nm
			G	515		525	
			B	460		470	
Half View Angle	If = 20mA	2 $\theta_{1/2}$		30		deg	



YETDA INDUSTRY LTD.

Package

Item: 500RGB

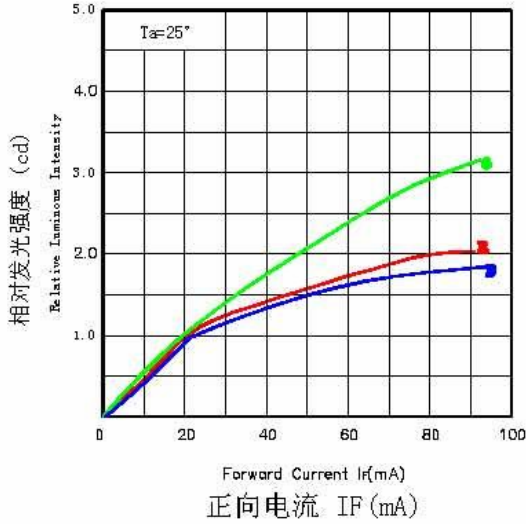




YETDA INDUSTRY LTD.

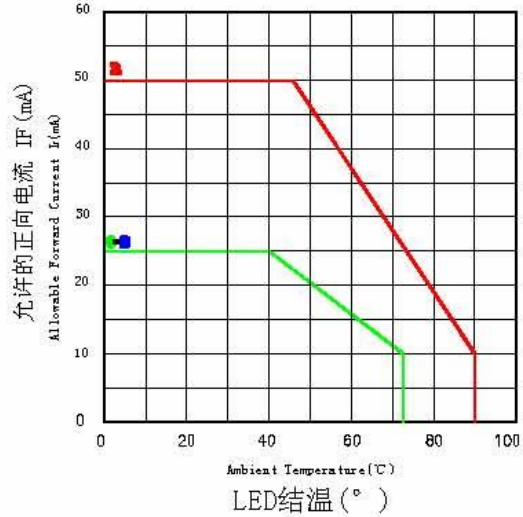
相对发光强度 - 正向电流图

Relative Luminous Intensity - I_f



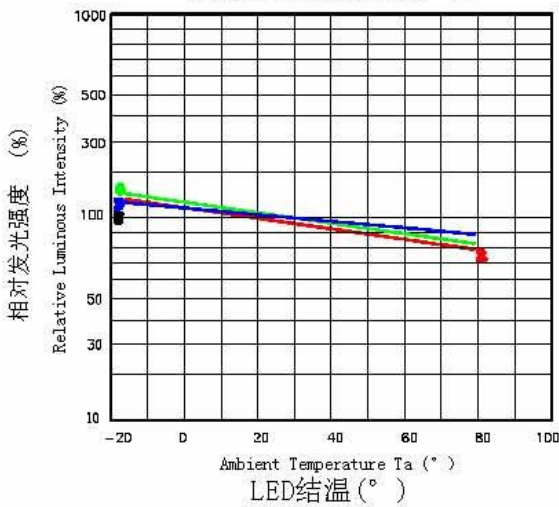
允许正向电流 - LED结温图

Allowable Forward Current - T_a



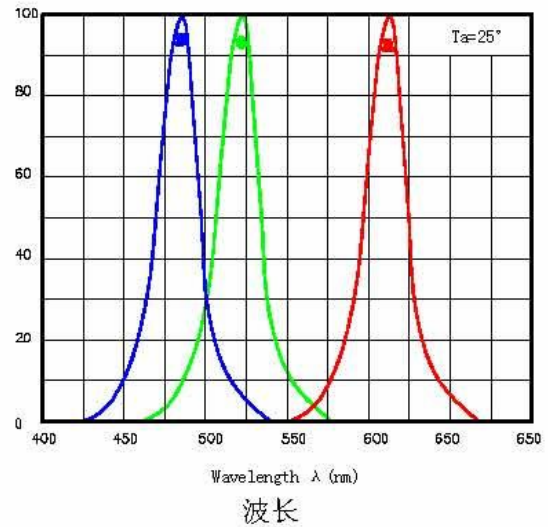
相对发光强度 - 结温图

Relative Luminous Intensity - T_a



波长特性图

Wavelength Characteristics



正向电流 - 正向压降图

$I_f - V_f$

