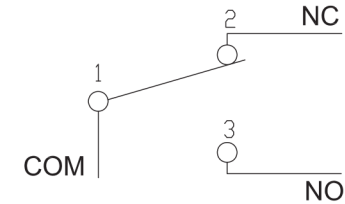
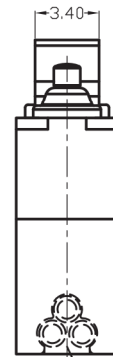
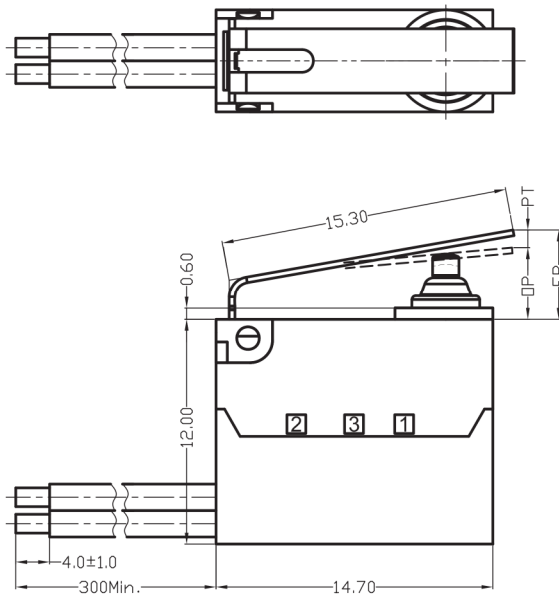


G303-130F02A1-GA

Circuit Diagram



COM:UL1007 24AWG BLACK(黑色)  
 NO:UL1007 24AWG BLUE(蓝色)  
 NC:UL1007 24AWG GRAY(灰色)

CHARACTERISITICS		ELECTRICAL DATA	
Operating Force:	<b>195gf MAX.</b>	CONTACT ARRANGEMENT S,P,D,T	SWITCH SEALING IP67
Release Force:	<b>25gf MIN.</b>	Ratings 0.1A 48VDC 125/250VAC 3A 12VDC μ 40T85 1E5	
Operation Position:	<b>3.7±0.6MM.</b>		
Pre Travel:	<b>3.5MM MAX.</b>		
Differential Travel:	<b>0.6MM MAX.</b>		
Over Travel:	<b>1.35MM MIN.</b>		
Total Travel:			

REVISION	DESCRIPTION	REVISED BY	TOLERANCES .X .XX		ANGLE 1/2'	UNIT	mm	PART NAME	SPEC DRAWING	DWG NO
△			DRAWN BY	張俊雄	DESIGNED BY	王豐文	SCALE		G303-130F02A1-GA	WS2498A
△			CHECKED BY	Jimmy	APPROVED BY		DATE	2014.07.10		
△	2014.07.10 首次出圖	張俊雄						PART NO		