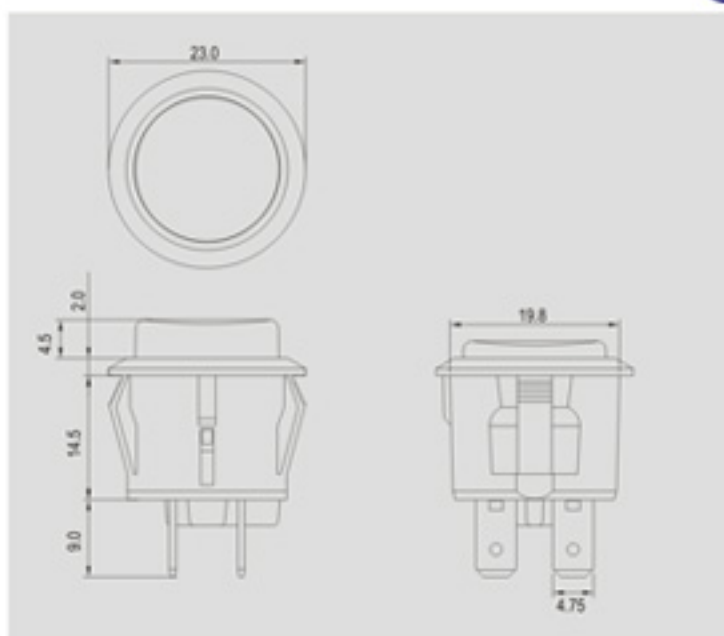


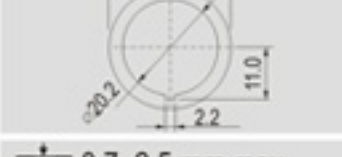
R13-527



Rating	10A 125V AC 1/2HP 6A 250V AC 1/2HP
Contact resistance	50mΩ Max
Insulation resistance	DC 500V 100MΩ Min
Dielectric strength	AC 1000V 1 minute
Cut-out	

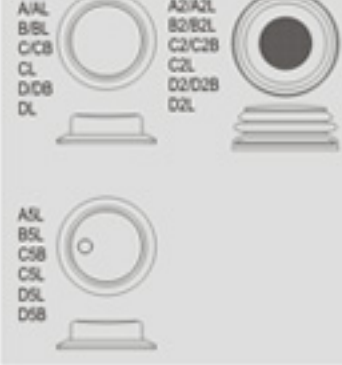
0.7~3.0 mm max

Cut-out for X2 BUTTON



0.7~2.5 mm max

BUTTON



FEATURES

- * MATERIAL: Frames are nylon (UL flame:94V-2). Terminals are silver plated brass.
- * Illuminated actuators are molded in PC, available with red, amber and green colors.
- * Snap-in mounting, easy to install switch into panel.
- * Water proof and dust proof to fit IP-65.



Ordering number instruction

R13-527 -

FUNCTION	TERMINAL
Non-illuminated button (不帶燈)	0 2 .187" SQ

