

MFT Type NTC Thermistor

1. Features

Coating: Epoxy resin

Compensation temperature for kinds of Transistor

Compensation temperature for a measuring instrument and all kinds circuit

2. Applications

All kinds of circuit

Office Equipment and industrial Equipment



3. Part NO

MFT
JOCOL series

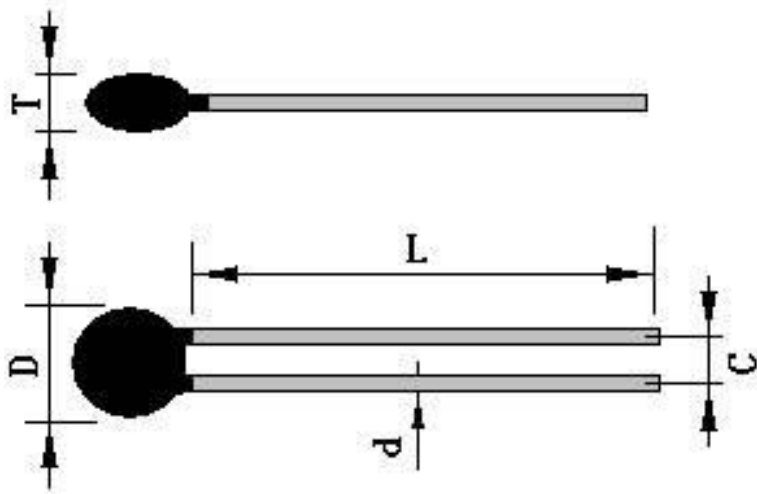
□□D
Disk

□□□
Resistance

□
Tolerance

Symbol of Tolerance	F	G	H	J	K	M
Tolerance	1%	2%	3%	5%	10%	20%

4. Shape and Dimensions



Shape

Dimensions : (mm)

Disk	Dmax	Tmax	Lmin	C	d±0.05
05D	6.0	4.5	25	2.5/5.0	0.45
03D	3.5	3.0	25	2.5	0.45

5. Electrical characteristics

03D:

Part NO	Resistance At 25°C (KΩ)	B _{25/50} value (K)	Thermal dissipation constant (mW/°C)	Thermal time constant (S)	Temperature Range (°C)
MFT03D101-305	100	3050	2.5	16	-55~125
MFT03D502-327	5K	3270			
MFT03D103-338	10K	3380			
MFT03D502-347	5K	3470			
MFT03D103-347	10K	3470			
MFT03D202-392	2K	3920			
MFT03D502-395	5K	3950			
MFT03D503-395	50K	3950			
MFT03D473-395	47K	3950			
MFT03D104-410	100K	4100			

05D:

Part NO	Resistance At 25°C (KΩ)	B _{25/50} value (K)	Thermal dissipation constant (mW/°C)	Thermal time constant (s)	Temperature Range (°C)
MFT05D100	10	2800	6	30	-55~125
MFT05D200	20	2930			
MFT05D470	47	3050			
MFT05D500	50	3050			
MFT05D101	100	3200			
MFT05D151	150	3270			
MFT05D201	200	3345			
MFT05D301	300	3450			
MFT05D471	470	3515			
MFT05D501	500	3515			
MFT05D102	1K	3600			
MFT05D222	2.2K	3750			
MFT05D332	3.3K	3850			
MFT05D472	4.7K	3950			
MFT05D502	5	3950			
MFT05D682	6.8	4050			
MFT05D103	10K	4050			
MFT05D203	20K	4100			
MFT05D473	47K	4300			
MFT05D503	50K	4300			
MFT05D683	68K	4300			
MFT05D104	100K	4450			
MFT05D474	470K	4700			
MFT05D504	500K	4700			
MFT05D475	4.7M	5300			