

# Switch

## Rotary switches\* Coding switches series

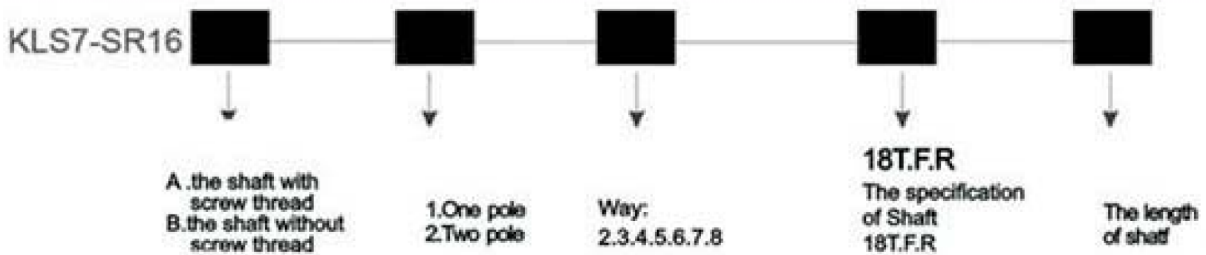
### KLS7-SR16/16mm series

#### SPECIFICATIONS

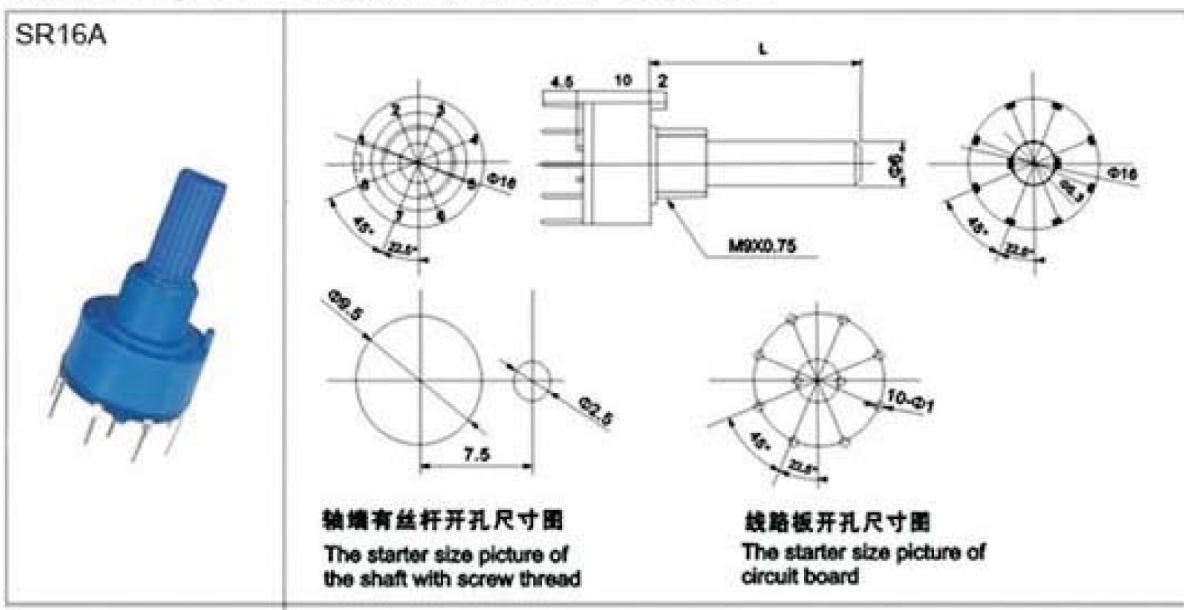
Temperature: -20°C-85°C  
 Max. rated power : 60VDC 0.30A  
 Contact resistance : Max. 50M Ohm  
 Insulation resistance : 100M Ohm Min. 500VDC  
 Withstand voltage : 500V AC for 1 Min.  
 Terminal strength: 5N for 1 Min.  
 Rotating Torque: 0.50~1.0N  
 Mechanical life and rated power : 10000 cycles 100M Ohm Max.



## Ordering information:

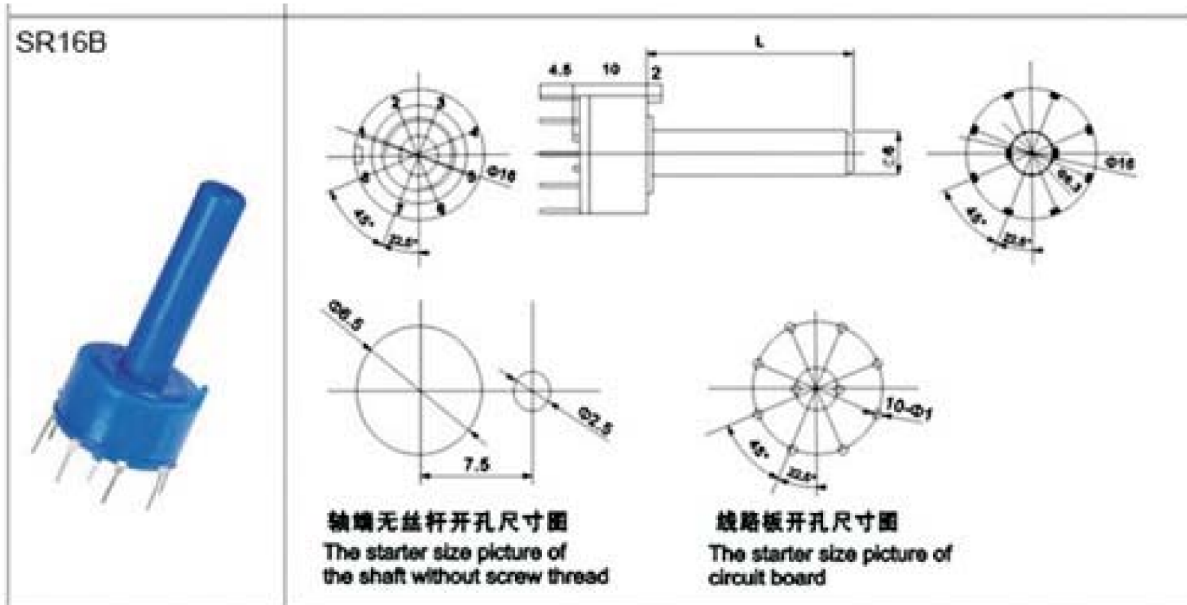


## Model to choose : SR16A / SR16B



Rotary switches\*Coding switches series

**KLS7-SR16/16mm series**



Shaft to choose : 18T / F / R

18T		L	L <sub>1</sub>	L <sub>2</sub>
		15	6.5	8.5
		20	6.5	13.5
		25	6.5	18.5
F		L	L <sub>1</sub>	F
		15	6.5	8.5
		20	6.5	13.5
		25	6.5	18.5
R		L	L <sub>1</sub>	L <sub>2</sub>
		15	6.5	8.5
		20	6.5	13.5
		25	6.5	18.5