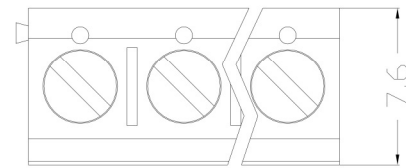
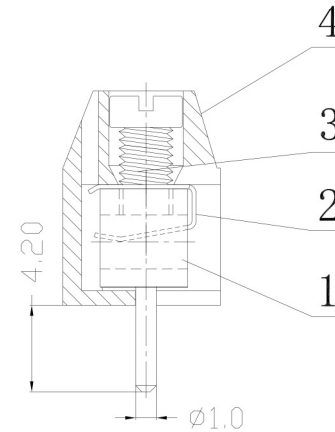
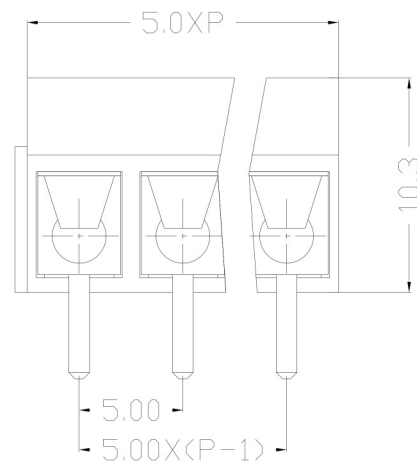


序号/RevNo.	名称/Title	文件编号/File No.
1	XY301terminal	
2	XY301shrapnel	
3	XY301screw	
4	XY301plastic body	



250V 16A 1.5mm<sup>2</sup>

Poles: 2P&3P

Pitch: 5mm/10mm

Pin Dimension:  $\phi 1.0$ mm

## Materials

Housing: PBT(30% Glass filled)

Solder Pin: Brass, Tin Plated.

Screw: M2.6, Steel, Zinc Plated.

Wire Protector: 0.2t, Stainless steel.

设计/Designed by	绘图/Drawing by	审核/Checked by	批准/Approved by	未注公差 General Tolerance	
 XINYA ELECTRONIC CO.,LTD		图名/Title	文件编号/File No.	x. ±0.2	x." ±2"
		XY301V-A DRAWING	页序/Sheet	.x ±0.1	.x" ±1"
备注/Remark				.xx ±0.05	.xx" ±0.5"
				.xxx ±0.01	
				单位/Units: mm	