

## 5mm Pure-Green Ultra Bright LED Lamps S500TG4D-H

- 5 mm with InGaN dice
- Encapsulated with Water Clear Lens package
- \* Two leads

### Absolute Maximum Ratings :

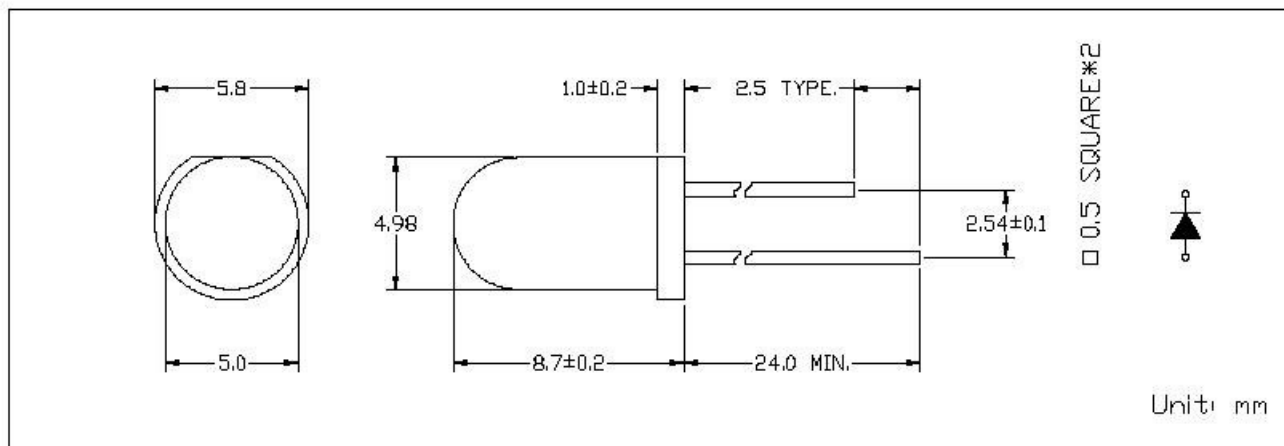
Parameter	Maximum Rating	Unit
Peak Forward Current	120	mA
Continuous Forward Current	30	mA
Operating Temperature Range	-20° to + 75°	
Storage Temperature Range	-40° + 100°	
Lead Soldering Temperature	260° for 3 seconds 1.6mm (0.063 inch) from body	

### Electro-Optical Characteristics $T_a = 25^\circ C$

Parameter Radiant	Test Condition	Symbol	Min.	Typ.	Max.	Unit
Forward Voltage	$I_f = 20mA$	$V_f$	2.8	3.2	3.8	V
Reverse Current	$V_r = 5V$	$I_r$			10	$\mu A$
Luminous Intensity	$I_f = 20mA$	$I_v$		10000		mcd
Spectral Bandwidth	$I_f = 20mA$	$\Delta\lambda$		35		nm
Wavelength	$I_f = 20mA$	$\lambda_p$		530		nm
		$\lambda_d$	510	525	535	nm
Half View Angle	$I_f = 20mA$	$2\theta_{1/2}$		30		deg

### Package

Item: 500



Unit: mm

