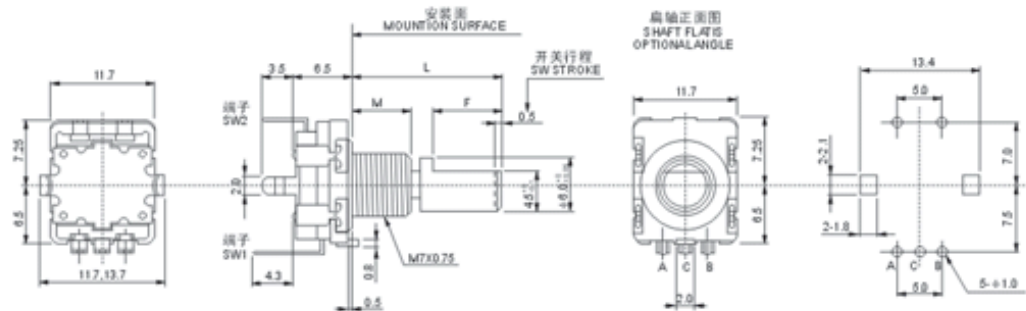


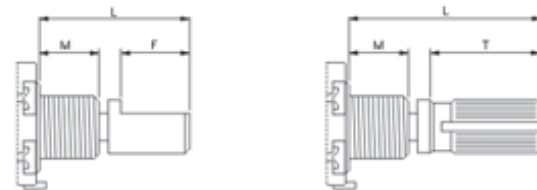


## ▶▶ ROTARY ENCODERS

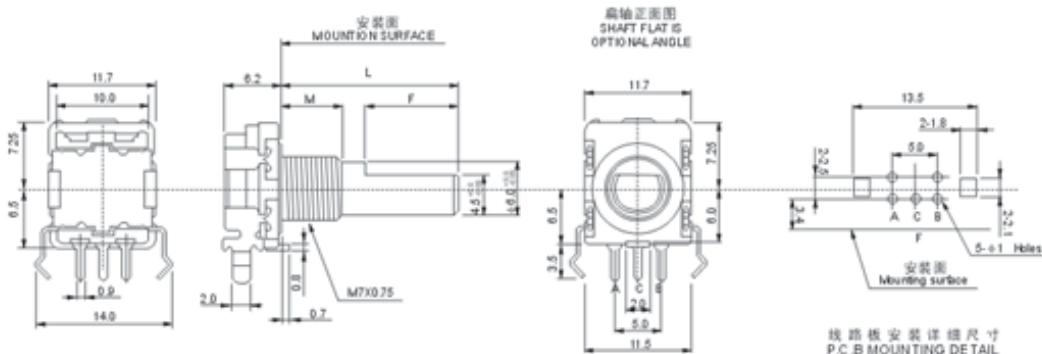
11mm Size



线路板安装详细尺寸  
P.C.B MOUNTING DETAIL



L	13	15	15	17.5	20	23.5	25
F/T	3	5	7	7.5	10	12	12
M	7	7	5	7	7	7	7



线路板安装详细尺寸  
P.C.B MOUNTING DETAIL



L	13	15	15	17.5	20	23.5	25
F/T	3	5	7	7.5	10	12	12
M	7	7	5	7	7	7	7