

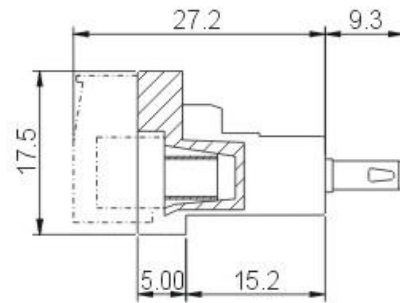
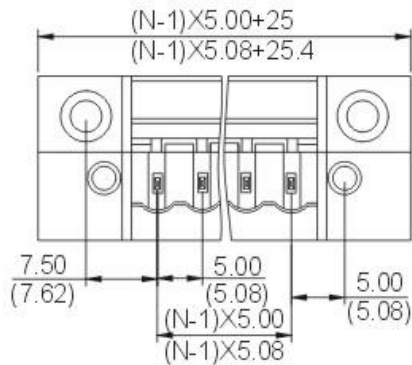


# DEGSON ELECTRONICS CO., LTD.

## Product Specification



**2CDGB-5.0**  
**2CDGB-5.08**



<b>Approval</b>		
<b>Electrical</b>		
<b>Standard</b>	<b>UL</b>	<b>IEC</b>
Rated voltage	300V	320V
Rated current	15A	20A
With standing voltage	AC2500V/1Min	
<b>Mechanical</b>		
Ambient temperature	-40℃~+105℃	
<b>Dimensions</b>		
Pitch	5.0(.197" ) 5.08mm(.200" )	
Poles	2P-22P	
<b>Material</b>		
Housing	PA66,UL94V-0	
Pin header	Brass, Ni plated	
Nut	M2.5,Brass	

### HOW TO ORDER :

-  **P** -   - 

X	X	X
Customer Request		

| Series No.                      No. of pole                      Color

1	Gray	4	Green	7	Transp-arent
2	Blue	5	Orange	8	Yellow
3	Black	6	Red	9	white

	<b>DEGSON ELECTRONICS CO., LTD.</b>
	<b>NAME</b> <b>2CDGB-5.0, 2CDGB-5.08</b>