

# TERMINAL BLOCK Connector

## PCB Series

KLS2-300-7.50 Series Pitch=7.50mm

### Electrical :

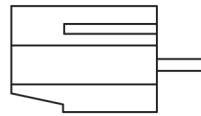
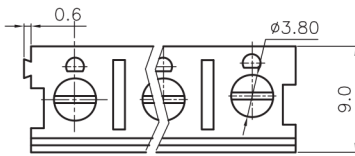
Rated voltage: 300V  
 Rated current: 16A  
 Contact resistance: 20mΩ  
 Insulation resistance: 5000MΩ/1000V  
 Withstanding Voltage: AC15000V/1Min  
 Wire range: 22-14AWG 2.5mm<sup>2</sup>

### Material

Screws: M3 steel Zinc plated  
 Wire guard: phosphor bronze Ni plated or stainless steel  
 Pin header: Brass, Tin plated  
 Housing: PBT,UL94V-0

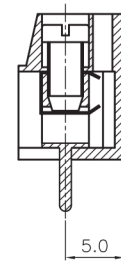
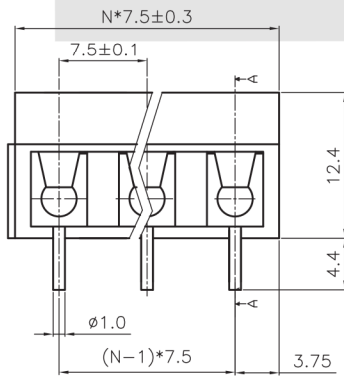
### Mechanical

Temp. Range: -30°C~+120°C  
 MAX Soldering: +250°C for 5 Sec.  
 Torque: 0.5Nm (4.5lb.in)  
 Strip length: 4.5-5mm

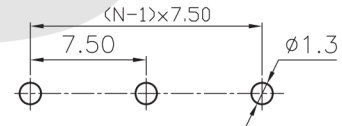


N=Number of contacts

STRAIGHT TYPE



SECTION A-A



P.C.B. LAYOUT

## ORDER INFORMATION

Product NO.: KLS2-300-7.50-XXP X X X

Pos. NO.

Series No.

Pitch: 7.50=7.50mm

Number of Pole

Customer Request

Screw: C=Cross Screw  
S=Slot Screw

Color: 1=Gray 2=Blue 3=Black  
4=Green 5=Orange 6=Red  
7=Transparent 8=Yellow 9=White