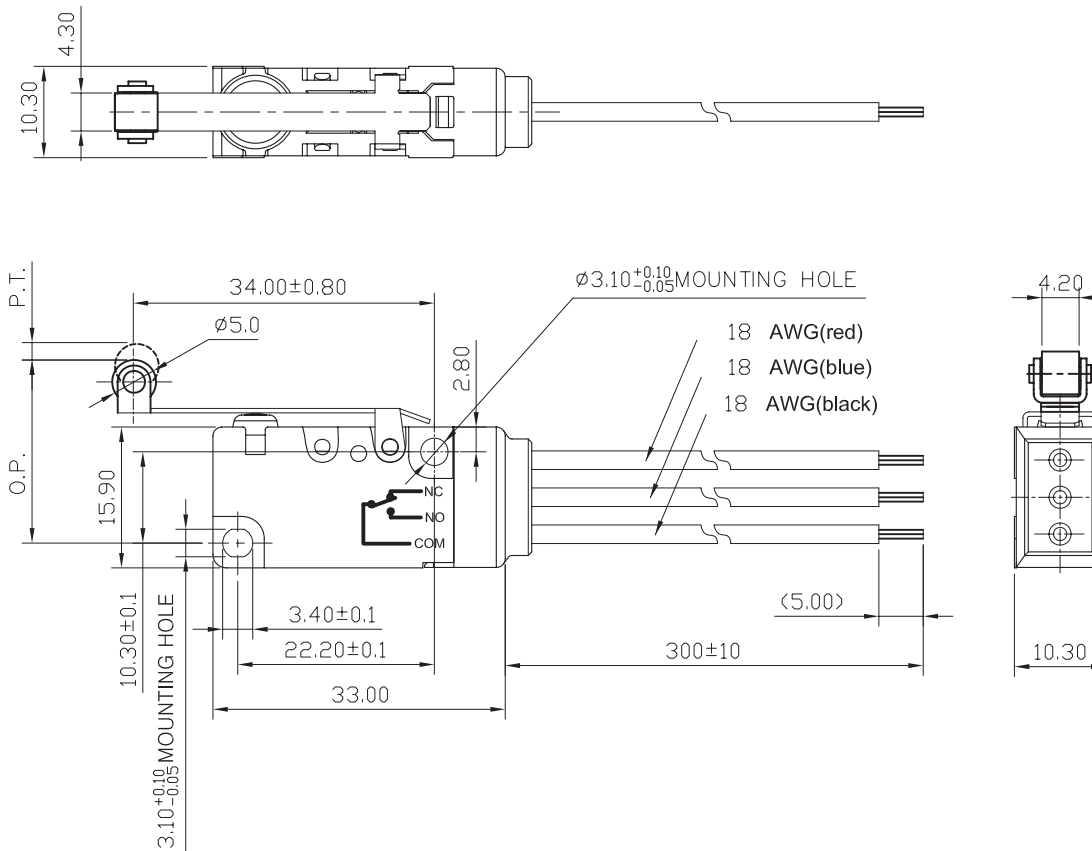




嘉尼企業股份有限公司 CANAL ELECTRONIC CO., LTD.



NOTES:  
 1. MOUNTING HOLES WILL ACCEPT 3.0 MAX PINS OR SCREWS.  
 2. DEGREE OF PROTECTION: IEC IP67

CHARACTERISTICS		ELECTRICAL DATA	
OPERATING FORCE:	60gf MAX.	CONTACT ARRANGEMENT	
DIFFERENTIAL FORCE:		S.P.D.T	
RELEASE FORCE:	25gf MIN.		10(2)A 125/250VAC
FREE POSITION:			0.5A 125VDC
OPERATING POSITION:	20.6±1.6MM.		0.25A 250VDC
PRE-TRAVEL:	3.2MM MAX.		40T85 μ 2E4
DIFFERENTIAL TRAVEL:	1.2MM MAX.		10.1A 1/10HP
OVER-TRAVEL:	1.3MM MIN.		125/250VAC
FULL OVERTRAVEL FORCE:			0.5A 125VDC
			0.25A 250VDC

REVISION	DESCRIPTION	REVISED BY	TOLERANCES .x .xx		ANGLE 1/2°	UNIT	mm	PART NAME	SPEC DRAWING	DWG NO
△			DRAWN BY	張俊雄	DESIGNED BY	王豐文	SCALE			G5W11-WZ100A06-W3
△			CHECKED BY		APPROVED BY		DATE	2014.07.10		
△	2014.07.10 首次出圖	張俊雄						PART NO		