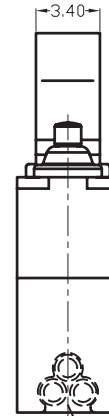
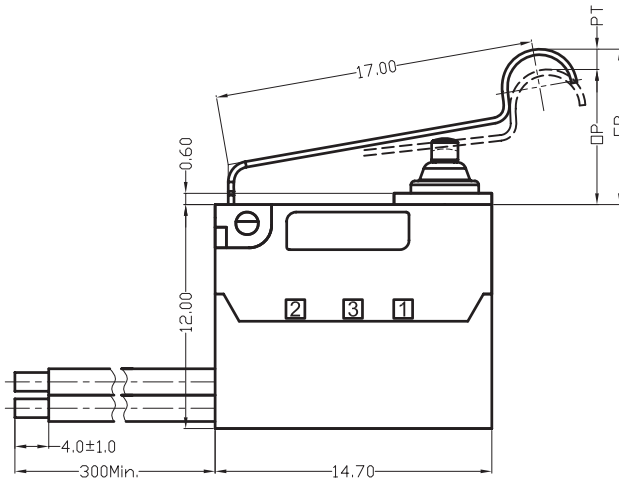
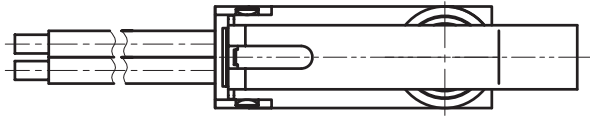
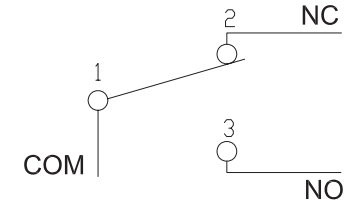


G303-130F05A1-GA

Circuit Diagram



COM:UL1007 24AWG BLACK(黑色)  
 NO:UL1007 24AWG BLUE(藍色)  
 NC:UL1007 24AWG GRAY(灰色)



CHARACTERISTICS		ELECTRICAL DATA	
Operating Force:	180gf MAX.	CONTACT ARRANGEMENT	SWITCH SEALING
Release Force:	20gf MIN.	S.P.D.T	IP67
Operation Position:	7.0±0.7MM.	Ratings	
Pre Travel:	3.8MM MAX.	0.1A 48VDC 125/250VAC	
Differential Travel:	0.7MM MAX.	3A 12VDC	
Over Travel:	1.5MM MIN.	μ 40T85 1E5	
Total Travel:			

REVISION	DESCRIPTION	REVISED BY	TOLERANCES		ANGLE	UNIT	mm	PART NAME	SPEC DRAWING	DWG NO
△			DRAWN BY	張俊雄	DESIGNED BY	王豐文	SCALE			WS2497A
△			CHECKED BY		APPROVED BY		DATE	2014.07.10	PART NO	
△	2014.07.10 首次出圖	張俊雄							G303-130F05A1-GA	