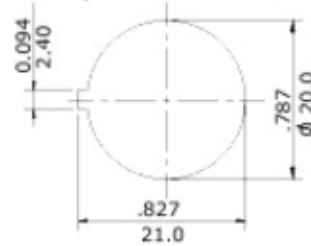


## MR-R SERIES

DOUBLE POLE ROUND MINI-ROCKER SWITCHES UP TO 12A 125VAC  
Illuminated, non-illuminated



Snap-in Panel Cutout



DPST or SPST circuit, 4, 3, or 2 termin

30  
00



### RATING

- UL61058-1 approved non-illuminated type: (cURus , ENEC15)  
10(4)A 125/250V ~T55, T125/55 6E3, 1E4  
16(4)A 125/250V ~T55, T125/55 6E3, 1E4
- UL61058-1 approved illuminated type: (cURus , ENEC15)  
12(4)A 125/250V~T55 1E4  
12RA 30VDC MAX T55 1E4
- UL1054 approved: (cURus)  
10A 125VAC, 8A 250VAC 1/4HP
- VDE, ENEC10, CQC (GB15092.1/ GB8898)  
10(4)A 250V~T125/55 1E4
- KC (Korea)  
10(4)A 250V , 1E4 (for specific model)
- Initial contact resistance : 20m ohm MAX.
- Insulation resistance : 100M ohm MIN. at 500VDC

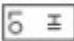
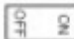

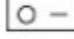
- Dielectric strength : 1,500VAC for 1 minute
- Electrical life : 6,000 & 10,000 cycles

30  
00

### FEATURES

- Safety approved internationally by cURus in North America, VDE& ENEC10 or ENEC15 in Europe, CQC& KC in Asia
- Standard DIA.20mm panel cutout
- DPST, SPST circuitry
- Complete terminals options quick-connect, solder and PCB pins
- Spec of IEC60335-1 glow wire test 750 degree C <=2 Sec. for option.
- Built in with optional neon lamp, DC fluorescent lamp upon request
- Waterproof cover boot as optional accessory

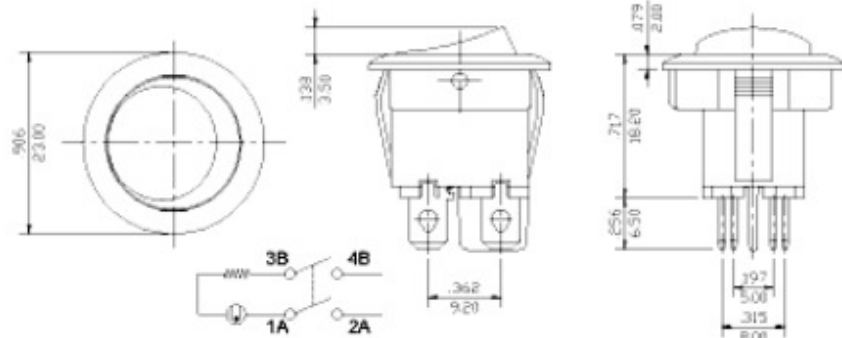
### How to order

MR	2	1	1	R	5
SERIES SYMBOL	POLE	FUNCTION	TERMINAL TYPE	ACTUATOR TYPE	MARKING TYPE
MR SERIES	1 SINGLE POLE 2 DOUBLE POLE	1 ON-OFF	0 QUICK CONNECT 1 SOLDER 2 PC TERMINALS	R ROUND	1  2 NO MARKING 3  4  5 

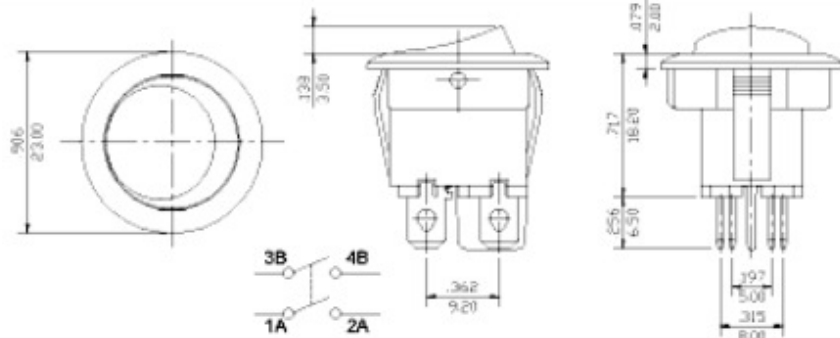
W	L	B	R	B	X
MARKING COLOR	ILLUMINATED TYPE	BASE COLOR	ACTUATOR COLOR	RATING TEMPERATURE	SUFFIXES
N NO B BLACK W WHITE R RED	N NON LAMP L ILLUMINATED 100-125VAC G ILLUMINATED 200-250VAC P PC ACTUATOR NON-LIGHTED 1 TUNGSTEN BULB DC12V	B BLACK W WHITE A GRAY	B BLACK W WHITE A GRAY O ORANGE G GREEN R RED	A 10(4)A 125/250VAC T55 B 12(4)A 125/250VAC T55 C 16(4)A 125/250VAC T55 D 16A (6-30VDC) T55 1 10(4)A 125/250VAC T125/55 2 12(4)A 125/250VAC T125/55 3 16(4)A 125/250VAC T125/55 4 16A (6-30VDC) T125/55	BLANK OR LETTER/ NUMBER



MR211-  
R5W-LBOB-12N



MR211-  
R2N-NBBB-12N



WATERPROOF  
COVER

